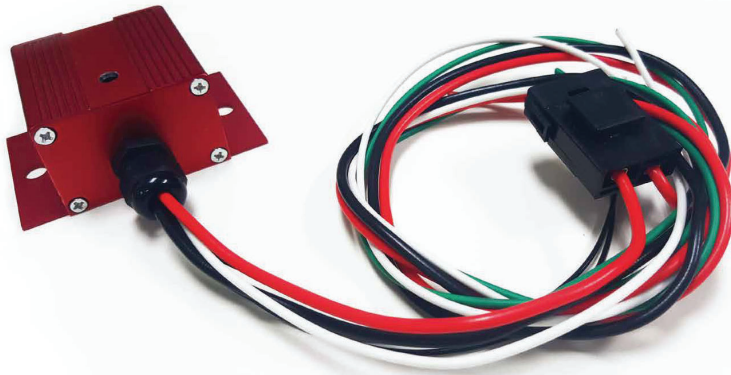


*****PLEASE READ INSTRUCTIONS COMPLETELY BEFORE BEGINNING INSTALLATION*****



KIT CONTENTS	
QTY	DESCRIPTION
1	Fan Control Module
1	Wire Harness with Push-in Probe OR Wire Harness with Thermostat
1	5' 12Ga. Red Wire
3	#10 Sheet Metal Screws
2	Blue Butt Connectors
1	Blue 5/16" Ring Terminal
1	Blue #10 Ring Terminal
1	Blue Wire Tap Connector
1	Red Butt connectors
4	4" Wire Ties

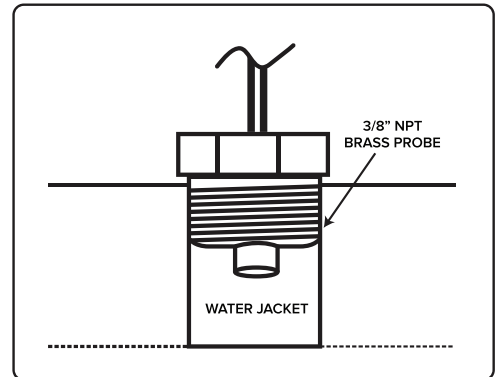
CONTROL MODULE INSTALLATION

1. Choose appropriate location to mount relay. Preferred location near the battery and where the thermostat will be located. Do not mount next to high heat sources, direct contact with water, and debris.
2. Use the modules mounting surface as a template to find and mark the mounting surface. Drill four (4) 5/32 holes in the correct locations.
3. Use the sheet metal screws provided to secure unit.

THERMOSTAT INSTALLATION

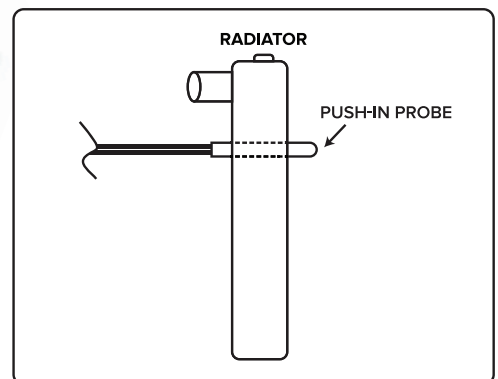
THREAD IN THERMOSTAT

1. Locate a 3/8 NPT port either on radiator, water neck, intake manifold, cylinder heads.
2. Using Teflon tape or a suitable sealant, thread in the 3/8 thermostats to proper location.



PROBE THERMOSTAT

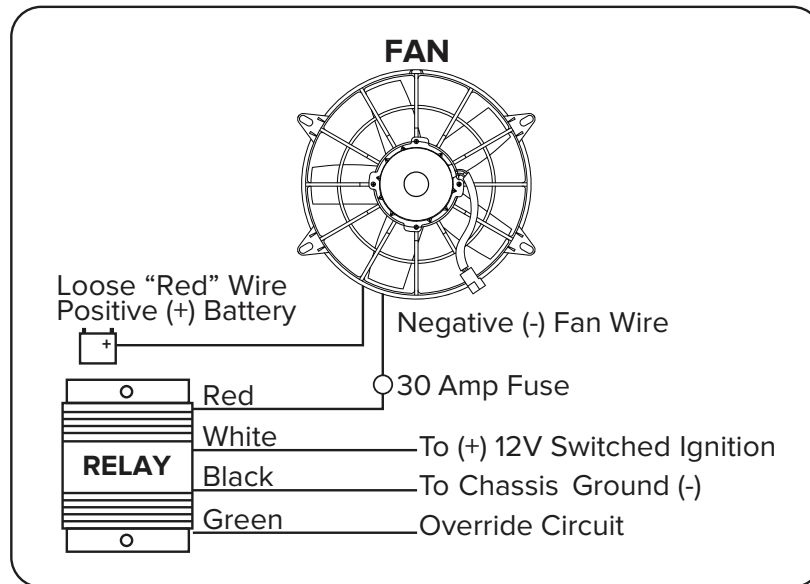
1. Thermostat probe must be inserted into the core of the radiator. The best location for the probe is near the inlet of the radiator and in between the fins.
2. The probe should be secured tightly between the fins. Should not extrude past 1/4 inch.



**DO NOT USE SHARP OBJECTS TO INSTALL PROBE.
DO NOT INSTALL PROBE INTO RADIATOR HOSE.**

WIRING

1. Before starting disconnect battery. Use electrical connector and cable ties provided,
2. Red (loose wire): Positive battery to positive fan lead
3. Red (w/fuse): Negative fan lead
4. Black wire: Chassis ground
5. White wire: Ignition power
6. Green wire: A/C override circuit- The green wire is designed to work in two different configurations. When used this will allow the fan(s) to be turned on when the A/C is being used (regardless of temp). This over rides all other functions.
 - a. Using blue wire tap provided, attach green wire to the positive lead on the air conditioning compressor.
 - b. Manual switch over ride - attach green wire to the manual switch (not provided) with a positive feed.



TEMPERATURE ADJUSTMENT

*****WARNING: ADJUSTMENT RANGE IS ONLY $\frac{3}{4}$ TURN TOTAL ROTATION. DO NOT FORCE PAST, WILL VOID WARRANTY.*****

1. Remove rubber plug.
2. Turn adjustment screw counter clockwise to lower starting temp.
3. Turn adjustment screw clock wise to raise starting temp.
4. Replace rubber plug.

VEHICLE TESTING

1. Before starting vehicle all loose wires are secured away from moving parts.
2. Start vehicle
3. If the manual override function is being used either turn on the air conditioning or flip manual switch on. The fan should start running immediately.
4. Turn off the manual and allow the engine to react operating temp.
5. If the electric fan has not turned on, Take a screw driver and turn the adjustment screw counter clockwise in small increments until the fan starts.
6. If the fan has turned on too early turn the screw clockwise to increase starting temperature.
7. Tests drive the vehicle once the fan cycles on and off. Some adjustments may still be necessary.