



Equipped with AEM® Dryflow™ Filter  
No Oil Required!

## **INSTALLATION INSTRUCTIONS**

### **PART NUMBER:**

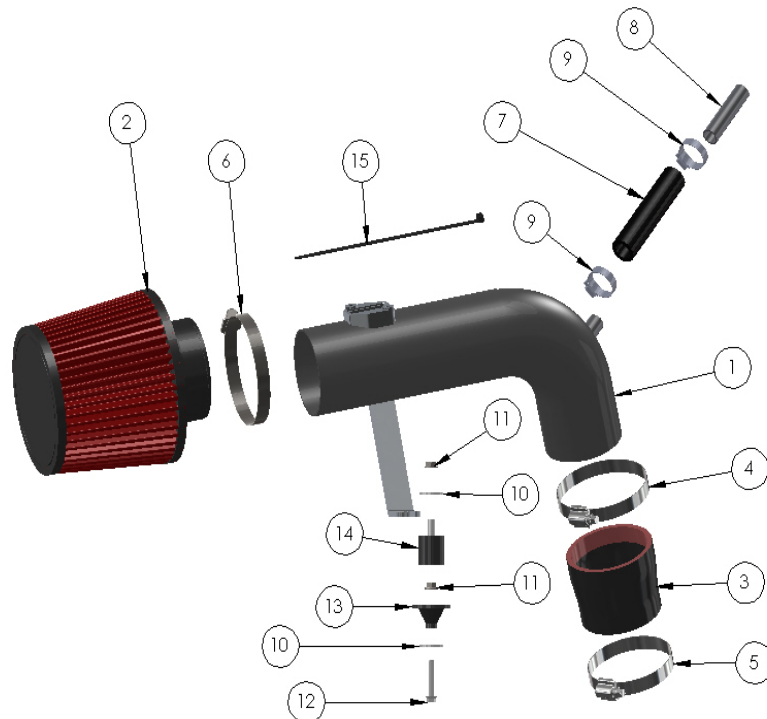
**21-713C** (Gun Metal Grey Finish)

**21-713P** (Vacuum Metalized Chrome - VMC)

---

2013-2014    NISSAN    ALTIMA SEDAN    2.5L    C.A.R.B. E.O. #D-670-21

ITEM NO.	PART NUMBER	DESCRIPTION	QTY.
1	2-1501C/P	TUBE; NISSAN ALTIMA 2.5L-2013	1
2	21-203DK	AIR FILTER; 3"X5" DRYFLOW	1
3	5-273-R	HOSE, ADAPTER 2.75/3.00 X 3" BL	1
4	9448	1/2" BNDHOSE CLAMP,2.56"-3.50"	1
5	9444	HOSE CLAMP, 2.31-3.25"	1
6	9452	1/2" BNDHOSE CLAMP,2.90"-3.75"	1
7	5-7004	HOSE; 5/8"ID X 4"L	1
8	7-7033	NIPPLE, 0.625X.065WLX2.50"	1
9	08411	1.063 Dia HOSE CLAMP	2
10	08160	WASHER; 1"D X 1/4 HOLE FENDER	2
11	444.460.04	NUT, M6 HEX SERRATED	2
12	1-1016	BOLT; HEX/FLANGE M6-1 X 30	1
13	2-670	SPACER; STAND, ALUMINUM	1
14	1228596	MOUNT, RUBBER M6 X 3/4" TALL M/F	1
15	21590	CABLE TIES; 11" BLACK	1



Read and understand these instructions **BEFORE** attempting to install this product. Failure to follow installation instructions and not using the provided hardware may damage the intake tube, throttle body and engine.

## 1. Preparing Vehicle

- a. Make sure vehicle is parked on a level surface.
- b. Set parking brake.
- c. If engine has run in the past two hours, let it cool down.
- d. Disconnect negative battery terminal.
- e. Do not discard stock components after removal of the factory system.

## 2. Removal of Stock System



- a. Remove the three Allen head bolts that secure the engine cover in place.



- b. Lift up on the bottom of the engine cover and remove it from the vehicle.



- c. Remove the spring clamp securing the PCV hose to the stock intake tube, then remove the hose from the vent.



- d. Unplug the MAF sensor connector.



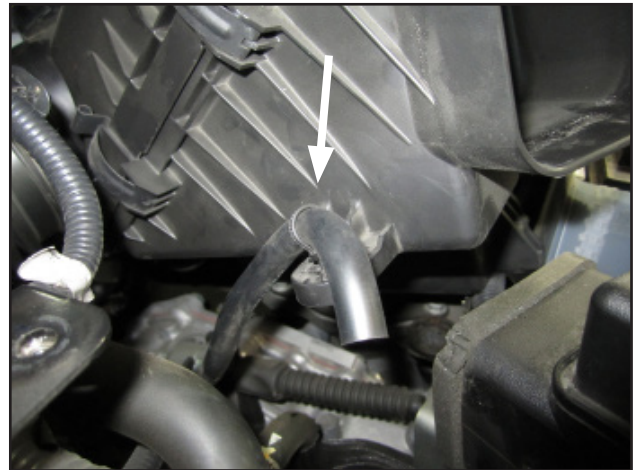
e. Remove the M6 bolt from the lower airbox.



f. Loosen the hose clamp on inlet tube to the airbox.



g. Lift up on the bottom of the airbox to disengage but do not remove from the engine bay.



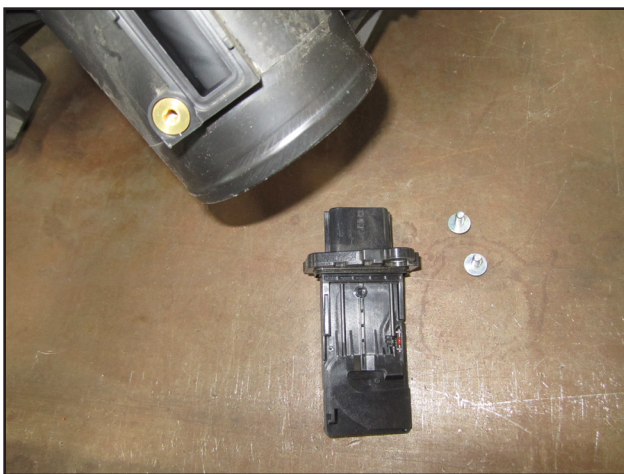
h. Undo the clip on the airbox holding the transmission vent hose. Undo the transmission vent hose clip from the airbox.



i. Remove airbox from the vehicle.



j. Loosen the hose clamp on inlet tube to the throttle body and remove hose.



k. Remove MAF sensor from the air box.

### 3. Installation of AEM® Intake System

- a. When installing the intake system, do not completely tighten the hose clamps or mounting hardware until instructed to do so.



- b. Install the MAF sensor into the intake tube (1) using the OEM screws.



- c. Install coupler (3) and hose clamp (5) onto the throttle body and tighten the hose clamp.



- d. Set (4) hose clamp on the throttle body coupler and keep loose.



- e. Place the (13) adapter onto the factory rubber grommet as shown.



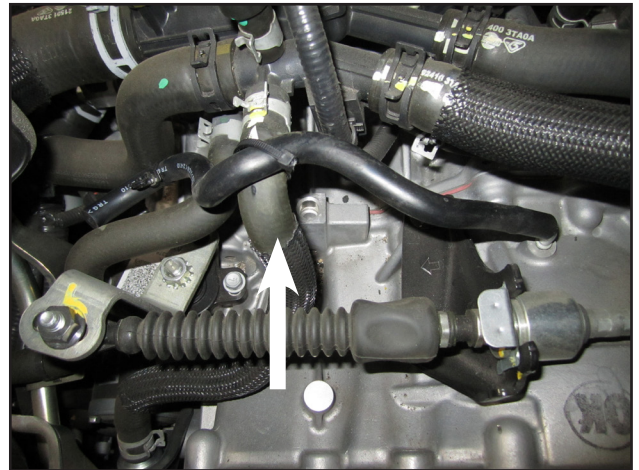
f. Slide bolt (12) and washer (10) through the rubber grommet and use the M6 (11) nut to keep the assembly together.



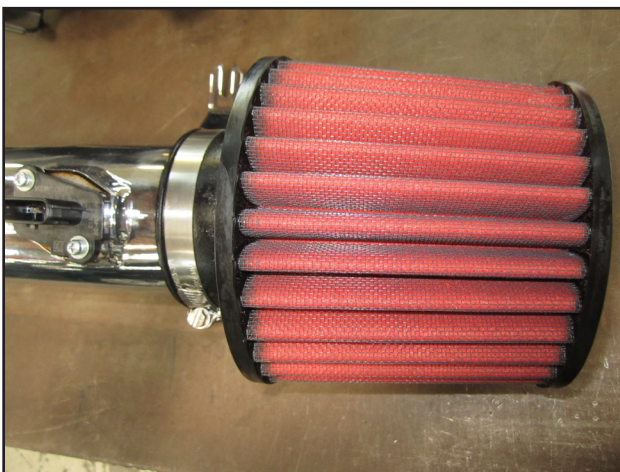
g. Once properly assembled, tighten the nuts and bolts to secure the adapter assembly.



h. Install rubber mount (14) onto the (12) bolt.



i. Use the provided zip tie (15) to attach the transmission vent tube to the coolant line as shown.



j. Mount the AEM air filter (2) onto the intake tube (1) using the (6) hose clamp. Tighten Hose clamp.



k. Install the intake pipe (1) into the throttle body coupler and align the bracket in place on rubber mount.



l. Insert nipple (8) into hose (7) and use the two (9) hose clamps on the hose as shown. Tighten the hose clamp on the nipple.



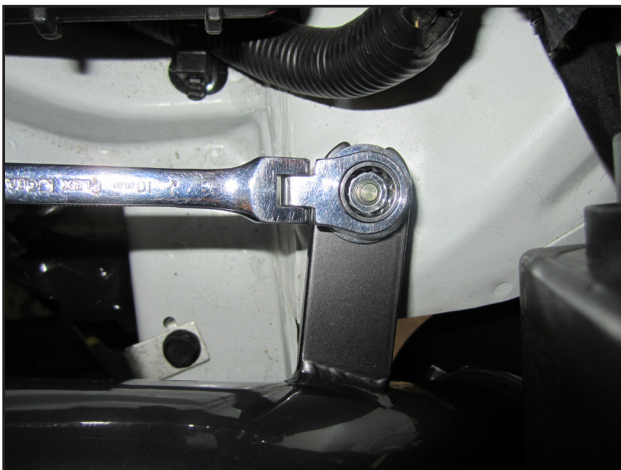
m. Install the (7) hose onto the (1) intake tube and insert the (8) nipple into the OEM vent hose as shown.



n. Secure the vent hose on the nipple with the OEM clamp.



o. Tighten the provided (7) vent hose and (8) hose clamp to the intake tube.



p. Now tighten the M6 (11) nut on the intake tube bracket.



q. Plug in MAF sensor.





r. Make sure all the hose clamps and fasteners are tight then install the engine cover.

#### 4. Reassemble Vehicle

- a. Position the inlet pipes for the best fitment. Be sure that the pipes or any other components do not contact any part of the vehicle. Tighten the rubber mount, all bolts, and hose clamps.
- b. Check for proper hood clearance. Re-adjust pipes if necessary and re-tighten them.
- c. Inspect the engine bay for any loose tools and check that all fasteners that were removed are properly tightened.
- d. Reconnect the negative battery terminal and start the engine. Let the vehicle idle for 3 minutes. Perform a final inspection before driving the vehicle.

#### 5. CARB Sticker Placement

- a. The C.A.R.B. exemption sticker, (attached), must be visible under the hood so that an emissions inspector can see it when the vehicle is required to be tested for emissions. California requires testing every two years, other states may vary.

#### 6. Service and Maintenance

- a. AEM Induction Systems requires cleaning the intake system's air filter element every 100,000 miles. When used in dusty or off-road environments, our filters will require cleaning more often. We recommend that you visually inspect your filter once every 25,000 miles to determine if the screen is still visible. When the screen is no longer visible some place on the filter element, it is time to clean it. To clean, purchase our Synthetic air filter cleaner, part number 1-1000 and follow the easy instructions.
- b. Use window cleaner to clean your AEM® intake tube. **(NOTE: DO NOT USE aluminum polish on powder coated AEM intake tubes).**

For technical inquiries  
e-mail us at  
sales@aemintakes.com  
or  
call us at  
(800) 992-3000

## **AEM Air Intake System Warranty Policy**

AEM® warrants that its intake systems will last the life of your vehicle. AEM will not honor this warranty due to mechanical damage (i.e. improper installation or fitment), damage from misuse, accidents or flying debris. AEM will not warrant its powder coating if the finish has been cleaned with a hydrocarbon-based solvent. The powder coating should only be cleaned with a mild soap and water solution. Proof of purchase of both the vehicle and AEM intake system is required for redemption of a warranty claim.

This warranty is limited to the repair or replacement of the AEM part. In no event shall this warranty exceed the original purchase price of the AEM part nor shall AEM be responsible for special, incidental or consequential damages or cost incurred due to the failure of this product. Warranty claims to AEM must be transportation prepaid and accompanied with dated proof of purchase. This warranty applies only to the original purchaser of product and is nontransferable. Improper use or installation, use for racing, accident, abuse unauthorized repairs or alterations voids this warranty. AEM disclaims any liability for consequential damages due to breach of any written or implied warranty of all products manufactured by AEM. Warranty returns will only be accepted by AEM when accompanied by a valid Return Merchandise Authorization (RMA) number. Credit for defective products will be issued pending inspection. Product must be received by AEM within 20 days of the date RMA is issued.

If you have a warranty issue, please call (800) 992-3000 and our customer service department will assist you. A proof of purchase is required for all AEM warranty claims.