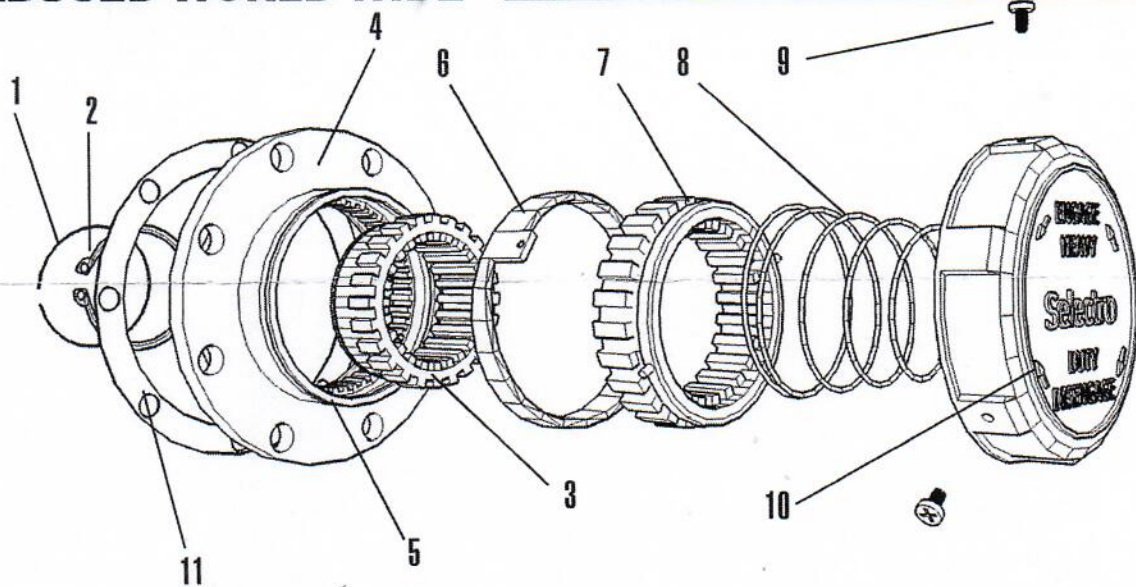


# MILE MARKER

ABUSED WORLD WIDE™

## SELECTRO LOCK-OUT HUB PART NUMBER: 11162-01



ITEM	P/N:	DESCRIPTION
1	105.17	RETAINING RING
2	105.16	SNAP RING, AXLE
3	141.51	AXLE GEAR, 11162
4	141.63	BASE FOR 11162
5	449.03	O-RING
6	107.11TF	CAM GROUP III
7	142.99	SLIDE GEAR
8	141.48	SPRING GROUP III

ITEM	P/N:	DESCRIPTION
9	123.13	PHILLIPS SCREWS
10	145.66	GROUP III HANDLE
11	145.106.10	GASKET 11162, 11038
Not Shown	102.30IH	BUSHING ASSY

### Specifications

Bolt Circle: 5.563"  
Number of Bolts: 8  
Number of Splines: 34  
Axle Outer Diameter: 1.75"

### Installation:

1. Remove existing drive flange and it's fastenings including the retaining ring on the axle and the bolts. Clean the gasket surface to bare metal. Clean the splines and lubricate with light grease.
2. Remove the philips head screws and separate the handle from the base. The slide gear, cam and spring remain attached to the handle.
3. Assemble base to vehicle. Use gasket or silicone to prevent oil leaks. Use previously removed fastenings to secure the base. Tighten to approx. 25ft. lbs. (3kgm). Replace the retaining ring that was removed in step 1 to secure the axle.
4. Replace the handle. Push handle on to base, gently compressing the spring. Align the screw holes with the grooves in the base and insert philips head screws. Make sure the screws enter the groove in the base properly. Do not force the screws.