



INSTALLATION INSTRUCTIONS

PART NUMBER: 30-5110

Dash Mounted Filter Minder Gauge - 10" H₂O Δ P



PARTS LIST

Description	Qty.	Part Number
10" Filter Minder	1	35-80311
Filter Minder Gauge Cup	1	35-4320
Silver Bezel	1	35-8481
Black Bezel	1	35-8480
Filter Minder Gauge Bracket	1	35-8464B
Filter Minder Gauge Cup Retainer	1	35-8499
5/32" Plastic Elbow 90 degree	1	8-152
1/8" to 3/32" Hose Adapter	1	8-159
3/32" Vacuum Hose	1	8-2305
5/32" ID Hose 120"L	1	5-3120
1/8" Grommet	1	784631
Knurled Nut	2	35-8466

Read and understand these instructions **BEFORE** attempting to install this product. Failure to follow installation instructions and not using the provided hardware may damage the intake tube, throttle body and engine.

1. Preparing Vehicle

- a. Make sure vehicle is parked on level surface.
- b. Set parking brake.
- c. If engine has run in the past two hours, let it cool down.
- d. Disconnect all negative battery terminals.

2. Installation of Dash Mounted Filter Minder Gauge into urethane top filter



a. Remove air filter.



b. Drill 1/8" hole in lid of filter. Make sure no debris from the drilling operation gets inside the filter.



c. Insert one end of 5/32" elbow into hole.



d. Push one end of 5/32" hose onto exposed end of elbow.



e. Reinstall the air filter onto vehicle. Proceed to step 3.

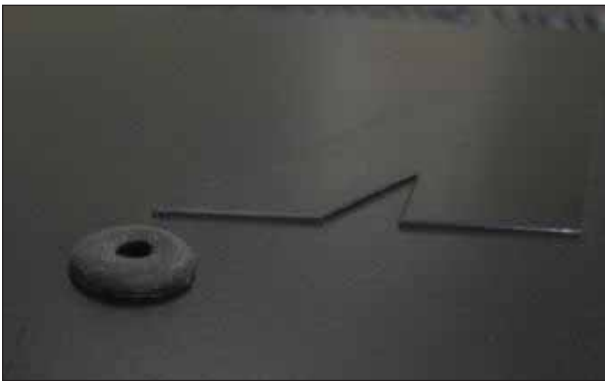
2B. Installation of Dash Mounted Filter Minder Gauge into a hard top filter.



a. Remove air filter.



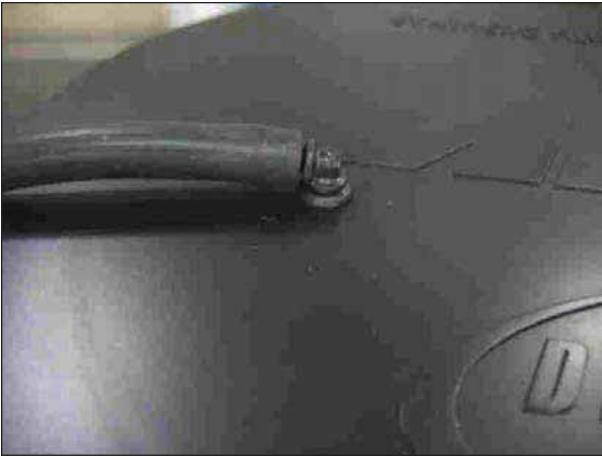
b. Drill 15/64" hole in lid of filter in the specified location.



c. Insert 1/8" grommet into drilled hole. You may want to use soapy water to lubricate grommet.



d. Push one end of 5/32" hose onto exposed end of elbow.

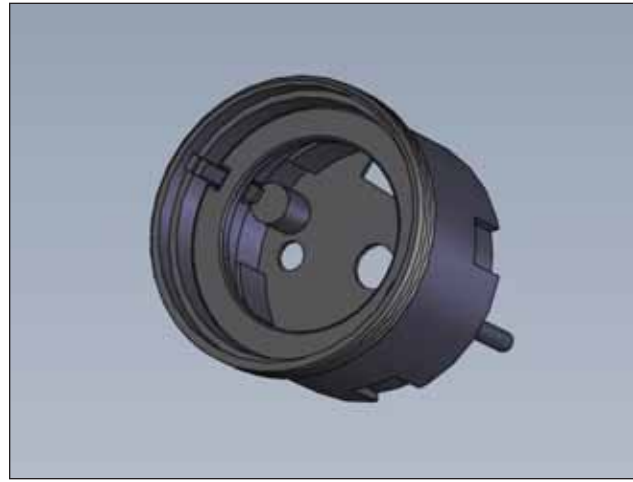


e. Push one end of 5/32" elbow into grommet. Again, you may want to use soapy water to lubricate grommet.



f. Reinstall filter onto vehicle.

3. Assemble Filter Minder Gauge Cup



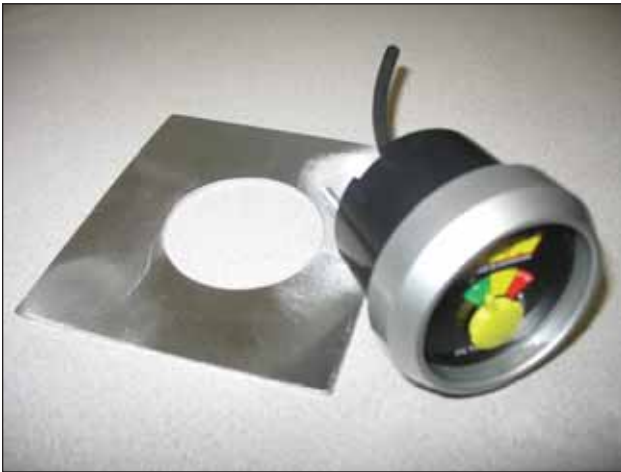
a. Insert filter minder retainer in gauge cup. Make sure grooves on sides of retainer match ribs on inside walls of cup.



b. Feed hose through hole at bottom of gauge cup. Insert filter minder gauge so that it rests on top of retainer.



c. Twist bezel onto gauge cup. Tighten until filter minder is secure and does not move.



d. Your new gauge will fit in a 2 1/8" diameter space. This may be in a piece of sheet metal or a gauge cluster on your dash.
NOTE: Metal sheet not included in kit.



e. Seat the gauge cup in the space.



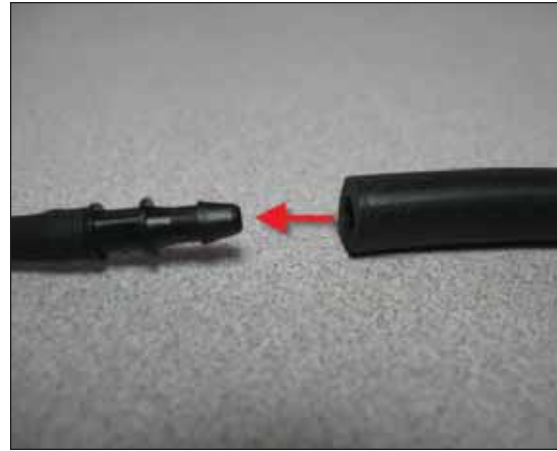
f) Place the gauge bracket on the rear of the filter minder gauge.



g) Finger tighten the brass nuts.



h. Attach the 3/32" end of the 3/32" to 1/8" adapter to the hose coming from the back of the gauge.



i. Run the hose so that the other end of the adaptor attaches to your air filter.

4. Reassemble Vehicle

- a. Inspect the engine bay for any loose tools and check that all fasteners that were moved or removed are properly tightened.
- b. Reconnect negative battery terminals and start engine. Let the vehicle idle for 3 minutes. Perform a final inspection before driving the vehicle.

5. Service and Maintenance

- a. When the filter minder reaches the red zone, it is time to clean the filter. Use AEM Dryflow cleaning kit part # 21-110.
- c. Once the filter has been cleaned, reset the filter minder. To reset the filter minder simply rotate the dial back to the green zone.

For technical inquiries
e-mail us at
sales@aemintakes.com
or
call us at
800.992.3000

AEM Air Intake System Warranty Policy

AEM® warrants that its intake systems will last for the life of your vehicle. AEM will not honor this warranty due to mechanical damage (i.e. improper installation or fitment), damage from misuse, accidents or flying debris. AEM will not warrant its powder coating if the finish has been cleaned with a hydrocarbon-based solvent. The powder coating should only be cleaned with a mild soap and water solution. Proof of purchase of both the vehicle and AEM intake system is required for redemption of a warranty claim.

This warranty is limited to the repair or replacement of the AEM part. In no event shall this warranty exceed the original purchase price of the AEM part nor shall AEM be responsible for special, incidental or consequential damages or cost incurred due to the failure of this product. Warranty claims to AEM must be transportation prepaid and accompanied with dated proof of purchase. This warranty applies only to the original purchaser of product and is nontransferable. Improper use or installation, use for racing, accident, abuse, unauthorized repairs or alterations voids this warranty. AEM disclaims any liability for consequential damages due to breach of any written or implied warranty on all products manufactured by AEM. Warranty returns will only be accepted by AEM when accompanied by a valid Return Merchandise Authorization (RMA) number. Credit for defective products will be issued pending inspection. Product must be received by AEM within 30 days of the date RMA is issued.

If you have a warranty issue, please call (800) 992-3000 and our customer service department will assist you. A proof of purchase is required for all AEM warranty claims.