

HEADER INSTALLATION INSTRUCTIONS

PART NUMBER: D380
1965 – 1982 Corvette 265-400 Small Block

PerTronix® thanks you for choosing **DOUG'S HEADERS**, the best fitting, highest quality header on the market. In order to realize the full potential of our good fit, please read and understand these instructions completely prior to starting work.

Check to make sure you received the proper parts for your application. The header number will be stamped on the engine flange. If you are unsure you have received the proper parts call before you start work.

Be sure to work safe! Whenever you work under the vehicle be sure that it is located on level, solid ground and is supported by adequate safety stands! **Remember: Hot asphalt will not support most jack stands!**

Many factors affect the installation of headers, some of which are broken or aftermarket motor mounts, accidents that impact the configuration of the frame, and/or the installation of different engines or aftermarket cylinder heads.

Attention Customers breaking in new engines: Due to the extreme heat generated during the break-in process, the appearance of the ceramic coating may be altered in certain areas. The protection characteristics and thermal barrier properties of the coating is never compromised. It is recommended that a cast iron manifold or old set of headers be used for this process.

Notice: The coating of these headers can be marred or scratched during installation. If the header needs to be returned and is damaged, you will be charged for recoat.



WARNING: These headers are legal for Off Highway use (except in California or states that have adopted California emission standards) or Racing use (which may never be used on a Highway), or for use on pre emission controlled motor vehicles/motor vehicle engines (pre 1966 domestic vehicles certified to California standards, pre 1968 domestic vehicles certified to Federal standards and all pre 1968 Foreign vehicles) **Only**.

NOTE: These headers require the purchase of the side pipes (#D930, D930-C, or D930B) and mufflers (D950, D951, or D952). If your alternator/generator is mounted to the exhaust manifold you will need to purchase bracket #H7606. 1965-82 A/C models need A/C bracket #H7608. **These headers do not accommodate smog air injection tubes, if you are retaining an air pump with injection tubes, these headers will NOT work.**

DISASSEMBLY

1. Disconnect the negative battery cable from the battery.
2. If a car lift is not available, raise the vehicle 3 feet or higher and support with adequate safety stands. Make sure the vehicle is on a flat solid surface and is stable.
3. Unbolt the stock Headpipes from the manifolds and remove the pipes and mufflers from the car.
4. Remove the generator or alternator, remove the A/C compressor, Spark Plug wires and Spark plugs, Clutch Z Bar (if manual transmission)
5. Remove the stock Exhaust manifolds or existing headers.

6. Remove the rocker arm panel molding. The rocker panel will need to be modified as shown in the illustrations. Due to variances in cars and years, we recommend that the illustration only be used as a guide – check fit parts before cutting or trimming.

INSTALLATION

DRIVER SIDE

- 1) Starting from below, slip the driver's side header up into position. Slip the gasket between the head and the header and start all the header bolts but do not tighten at this time. Install the Alternator /generator bracket if mounted on driver's side at this time as well.
- 2) Install the muffler insert into the sidepipe. Install the rubber bushing into the tab bracket on the sidepipe. Slip the sidepipe onto the header collector. Check the position of the sidepipe brackets to the holes in the rocker panel. Trim the rocker panel as necessary. Due to Chevrolet manufacturing tolerances, it MAY be necessary to slot the holes in the sidepipe brackets in order for the sidepipe to slide completely onto the collector. This is not usually required.
- 3) Insert the 'T' bolt into the hole in the rocker panel. The rubber bushing will slide over the bolts and is secured with the flat washer and nut.
- 4) Tighten the header flange bolts to 35 ft lbs on iron heads or 18 ft lbs on Aluminum heads, side pipe tab bolts and the pinch bolt on the front of the side pipe (15-17 ft lbs).

PASSENGER SIDE

- 1) From below, slip the passenger side header up into position. Slip the gasket between the head and the header and start all the header bolts but do not tighten at this time. Install the Alternator/Generator bracket if mounted on passenger side at this time as well.
- 2) If equipped with Air Conditioning:
 - a) 1965-76 will need A/C bracket #H7608.
 - b) 1963-64 models with A/C mounted on right side exhaust manifold will require a Hedman Heddets bracket #20020. This bracket will need to be modified slightly by removing approx. 1/2" from the front edge.
 - c) 1977 and later models will require reuse of the original A/C bracket and stud that fits the front first bolt hole. Fabricate a 3/8" i.d. X 5/8" o.d. X 3/4" long spacer to fit between the header and the bracket.
- 3) Install the muffler insert into the sidepipe. Install the rubber bushing into the tab bracket on the sidepipe. Slip the sidepipe onto the header collector. Check the position of the sidepipe brackets to the holes in the rocker panel. Trim the rocker panel as necessary. Due to Chevrolet manufacturing tolerances, it MAY be necessary to slot the holes in the sidepipe brackets in order for the sidepipe to slide completely onto the collector. This is not usually required.
- 4) Insert the 'T' bolt into the hole in the rocker panel. The rubber bushing will slide over the bolts and is secured with the flat washer and nut.
- 5) Tighten the header flange bolts to 35 ft lbs on iron heads or 18 ft lbs on Aluminum heads, side pipe tab bolts and the pinch bolt on the front of the side pipe (15-17 ft lbs).
- 6) Reinstall the Clutch Z bar, Spark plugs and wires, Alternator/Generator, and A/C compressor,
- 7) Check all brake and fuel lines for clearance around headers and exhaust and relocate as necessary.
- 8) Connect the negative battery cable.

9) Start the car and check for leaks

IMPORTANT CHECK LIST

- Be sure that all brake lines and fuel lines are clear of headers and/or connector pipes.
- All spark plug wires, battery cables, or other electrical components should be clear of headers and/or connector pipes.
- Double-check the tightness of all bolts including brackets and accessories.

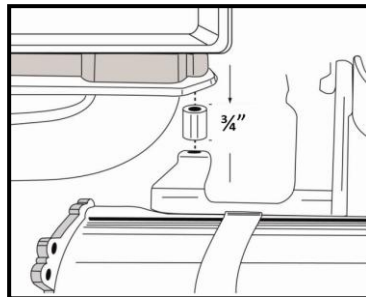
STARTING THE ENGINE

Start the engine and allow it to warm up to operating temperature. Check for any unusual noises or exhaust leaks. If every thing is OK, stop the engine and tighten all bolts while the engine is still warm.

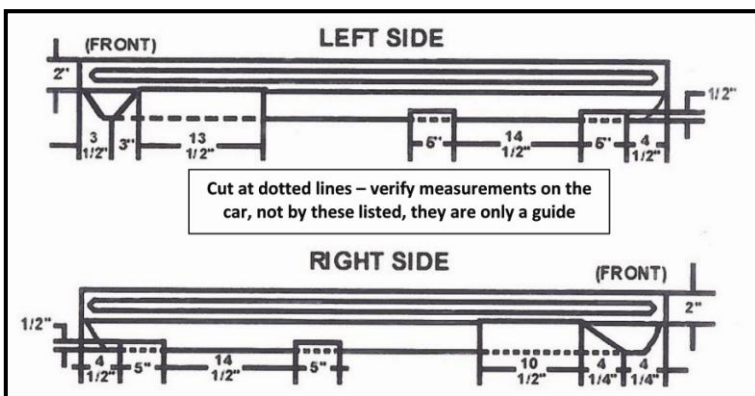
NOTE: Check the bolts periodically to make sure they have not loosened. Re-tighten after the first 500 miles and then again at 1000 miles.

PARTS LIST

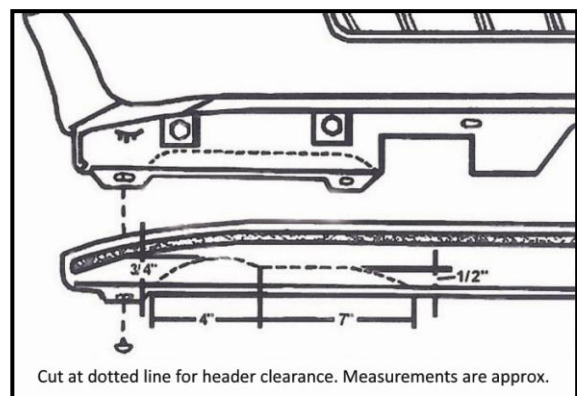
Qty	Description
1	Left side header
1	Right side header
2	Header gaskets
12	3/8 X 1", header bolts
12	Lock-washer
2	Doug's Stickers



1977-82 Bracket Spacer



1963-67 Rocker modification



1967-82 Rocker modification