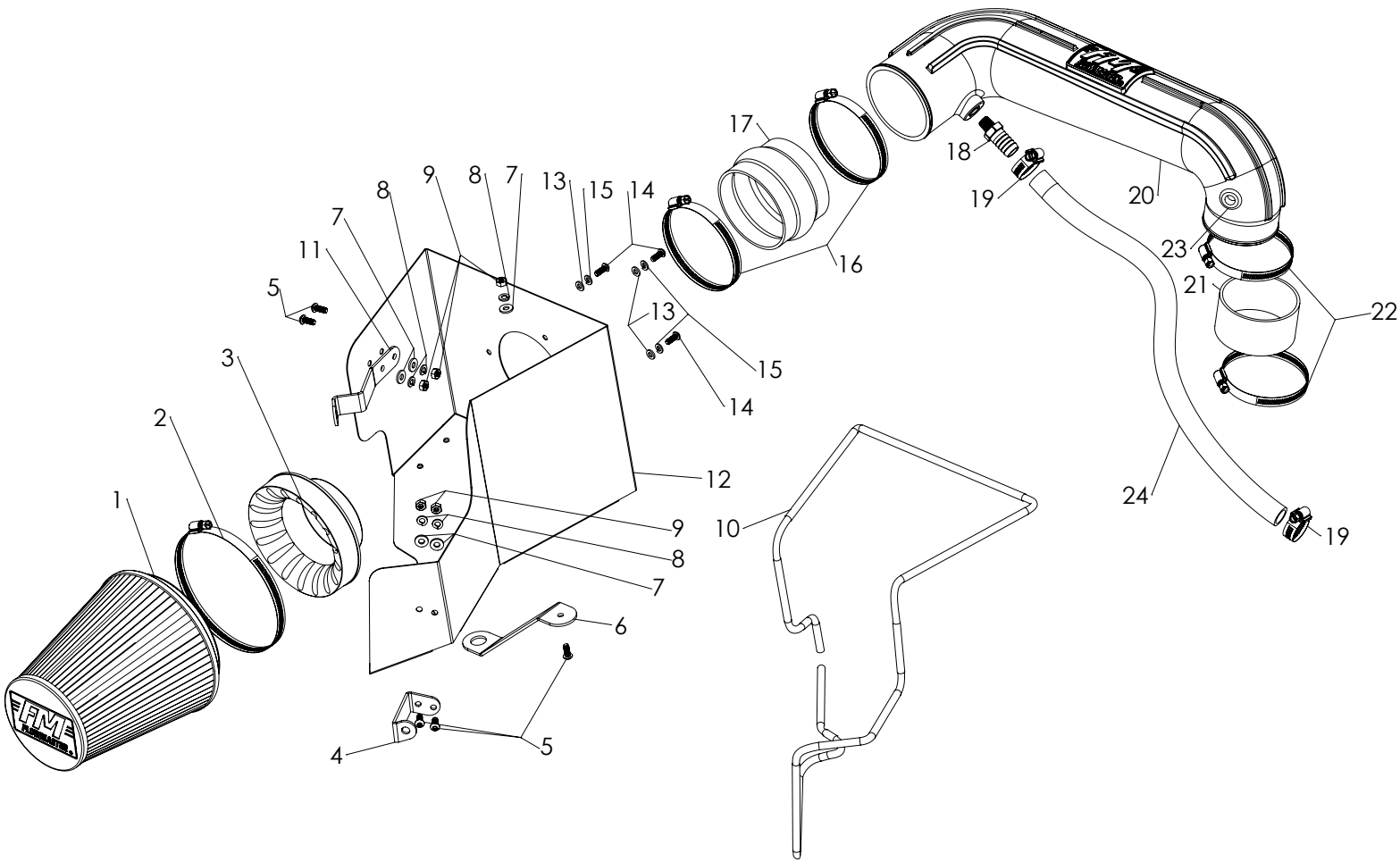




Installation Instructions for: SYSTEM #615111

2009-2017 Ram 1500

5.7L Engine



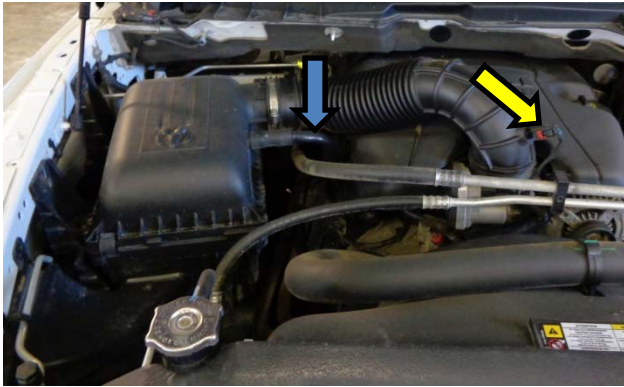
| ITEM NO. | PART NUMBER | DESCRIPTION | QTY. |
|----------|-------------|---------------------------------------|------|
| 1 | AF1001 | FILTER, AIR 8.625" HIGH, Ø6" FLANGE | 1 |
| 2 | | #104 HOSE CLAMP Ø4.125 TO 7" | 1 |
| 3 | AF6002 | 4" AIR FILTER ADAPTER | 1 |
| 4 | AF5004 | 11Ga. X 1" BRACKET 1, 09-17 RAM TRUCK | 1 |
| 5 | HW245 | 1/4"-20 X 5/8" BTNHD SS | 5 |
| 6 | AF5006 | 11Ga. X 1" BRACKET 3, 09-17 RAM TRUCK | 1 |
| 7 | HW320 | 1/4" FLAT WASHER SAE SS | 5 |
| 8 | HW322 | 1/4" SPLIT LOCK WASHER SS | 5 |
| 9 | HW115 | 1/4"-20 NUT SS | 5 |
| 10 | 4900061 | PUSH ON VINYL AIR BOX TRIM SEAL | 1 |
| 11 | AF5005 | 11Ga. X 1" BRACKET 2, 09-17 RAM TRUCK | 1 |
| 12 | AF3001 | 09-17 RAM INTAKE AIRBOX | 1 |

| ITEM NO. | PART NUMBER | DESCRIPTION | QTY. |
|----------|-------------|---|------|
| 13 | HW319 | M6 FLAT WASHER SS | 3 |
| 14 | HW244 | M6 X 1.0 X 16MM BTNHD SS | 3 |
| 15 | HW318 | M6 SPLIT LOCK WASHER SS | 3 |
| 16 | MC400H | #64 HOSE CLAMP Ø3 9/16 TO 4.5" | 2 |
| 17 | AF4005 | 4"ID X 3"L RUBBER COUPLER, HUMP | 1 |
| 18 | AF4013 | 3/4" BARB TO 1/4" NPT MALE STRAIGHT | 1 |
| 19 | MC125H | #12 HOSE CLAMP 1/2" - 1-1/4" | 2 |
| 20 | AF2001 | 09-17 RAM 5.7L INTAKE TUBE | 1 |
| 21 | AF4007 | 3.5" X 2"L RUBBER COUPLER, STRAIGHT | 1 |
| 22 | MC350H | #56 HOSE CLAMP Ø3 1/16 TO 4" | 2 |
| 23 | AF4008 | GROMMET, RUBBER 1.06"OD X 1/2"ID X 7/16"THK | 1 |
| 24 | 49000063 | 3/4" FUEL HOSE 21" LONG | 1 |

Removal:

Note: Please refer to vehicle manufacturer's recommendations regarding removal of components.

1. Turn off the ignition and disconnect the negative battery cable. NOTE: Disconnecting the negative battery cable erases pre-programmed electronic memories. Write down all memory settings before disconnecting the negative battery cable. Some radios will require an anti-theft code to be entered after the battery is reconnected. The anti-theft code is typically supplied with your owner's manual. In the event your vehicles' anti-theft code cannot be recovered, contact an authorized dealership to obtain your vehicles anti-theft code.



2. Disconnect the air-temperature sensor plug → on the intake tube by depressing the rocking tab and gently pulling away. Next, disconnect the crankcase breather hose → from the stock air- box. NOTE: We highly recommend that customers retain their factory air intake system.



4. With the stock air intake assembly lying on a flat surface, remove the stock air temperature sensor from the intake tube by twisting counter-clockwise and gently pulling outward simultaneously. Next, remove the O-ring from the sensor body and lube the area with a sensor-safe grease. Retain in a safe place.



3. Loosen the hose clamp → retaining the factory intake tube to the throttle body and remove the entire stock air-box/intake tube assembly from the vehicle by lifting straight up and out. Place the assembly on a flat stable surface for further steps.



5. Turn the stock air intake assembly over and remove one of the rubber grommets from the base and retain for use on the FM Cold Air Intake System.



6. Remove the engine cover by grasping the front edge and lifting up and then pulling forward and set aside for reinstallation. It is recommended that you cover the throttle body intake with a clean cloth.



7. Remove the crankcase vent tube → from the engine. Replace the stock tube with the included hose/clamps. Route in the same path, trimming off any excess length after install of the FM system.

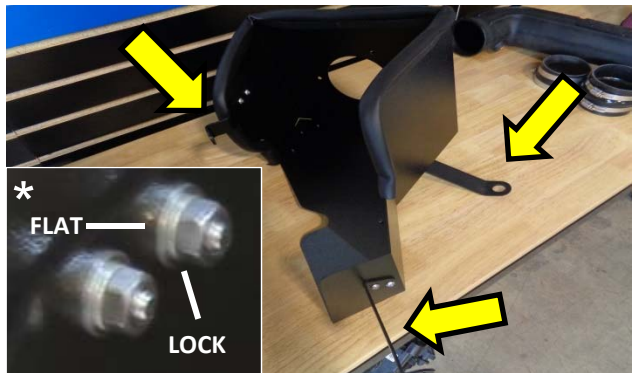


8. Remove the front retaining bolt → from the stock air-box frame on the fender and retain. Next, remove the bolt on the front cross-frame behind the headlight assembly as shown → and retain.

Assembly: Assemble the FM Cold Air Intake using the illustration on the front page for reference.



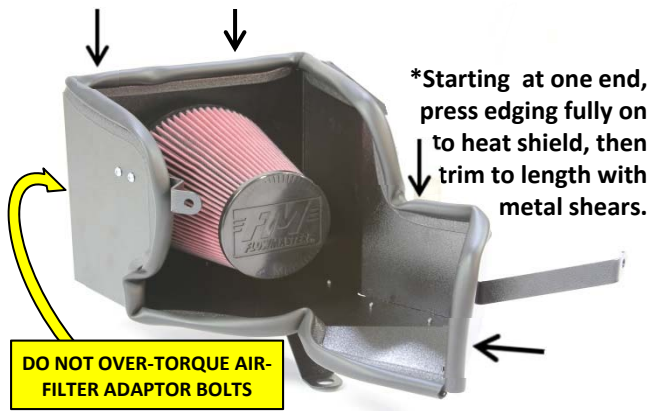
9. Begin assembly of the FM Cold Air Intake System by removing the components and hardware from the packaging and organizing the contents (including the fasteners) by thread and type to avoid confusion.



10. First, attach the 3 metal brackets → to the FM heat-shield using the supplied ¼" bolts/nuts and corresponding flat/lock washers installed under the nut-side as shown*. Tighten all fasteners securely.



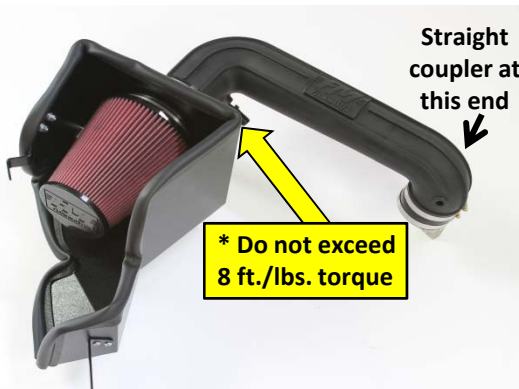
11. Next, insert the rubber grommet that was previously retained from the stock air-box into the large hole on the single-bolt bracket on the base of the heat shield so that the beveled hole faces down.



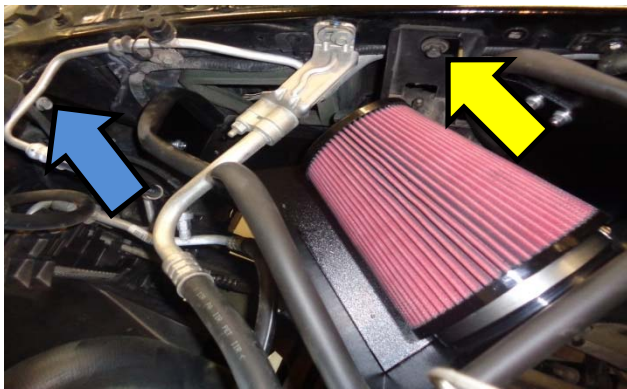
12. Using the (3) three 6mm bolts/washers, secure the air-filter adaptor to the heat-shield assembly. Next, install the rubber edging as above *, then securely attach the provided FM air-filter/clamp assembly.



15. Insert the assembled FM intake system into the vehicle as shown*. Attach the extended crankcase vent hose/clamp. Connect the air temperature sensor plug and secure the intake tube on the throttle body.



13. Install the barbed fitting → into the brass threaded insert on the FM intake tube as shown.* Install the provided rubber couplers/clamps onto the FM intake tube and leave loose to allow for rotation.



16. Reinstall the two previously removed bolts on the fender → and the front cross-frame → to secure the FM air-intake assembly. Check all fitment /fasteners and reattach the negative battery cable. Enjoy!



14. Install the provided rubber grommet into the hole on the FM intake tube and insert the previously retained air temperature sensor fully by twisting clockwise and pressing in at the same time.