



Equipped with AEM® Dryflow™ Filter
No Oil Required!

INSTALLATION INSTRUCTIONS

PART NUMBER: 41-1402

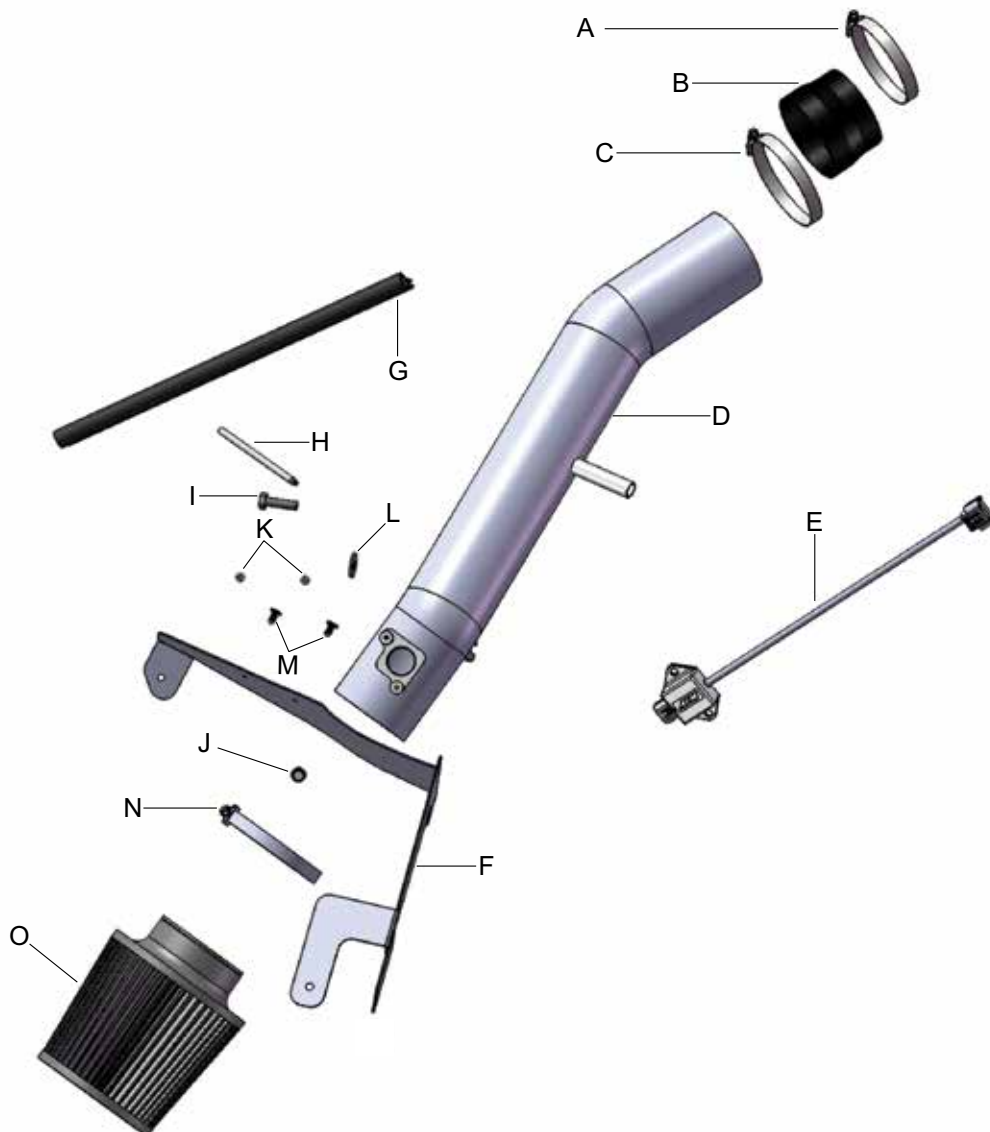
2006-2011 LEXUS IS350 V6-3.5L

**LEGAL IN CALIFORNIA ONLY FOR RACING VEHICLES
WHICH MAY NEVER BE USED, REGISTERED
OR LICENSED FOR USE UPON A HIGHWAY.**

See aemintakes.com for CARB status on each part for a specific vehicle

PARTS LIST

Description	Qty.	Part Number
A 1/2" Bnd. Hose Clamp, 2.56"-3.50"	1	9448
B Hose, Adapter 3.25/3.00 X 2.25"	1	5-323
C 1/2" Bnd. Hose Clamp, 3.15"-4.00"	1	9456
D Inlet Pipe	1	2-14021
E ETi Module	1	40-1402-002
F Heat Shield	1	20-14021
G Edge Trim, 26"	1	8-4026
H Rubber Edge Trim 13"	1	8-3013
I Bolt, Hex M8-1.25 X 25mm	1	1-2066
J Bolt, Hex/Flange M6-1 X 20	1	1-2038
K Bolt, Btn. Hd. M4-0.7 X 6mm	2	1-2051
L Washer, 8mm Soft Mount	1	559960
M Plug, Lg. Tree Clip Blk.	2	8-166
N 1/2" Bnd. Hose Clamp, 2.90"-3.75"	1	9452
O Air Filter Assy. 3.25 X 5" Dry Ele.	1	21-2110DK



Read and understand these instructions **BEFORE** attempting to install this product. Failure to follow installation instructions and not using the provided hardware may damage the intake tube, throttle body and engine.

1. Preparing Vehicle

- a. Make sure vehicle is parked on level surface.
- b. Set parking brake.
- c. If engine has run in the past two hours, let it cool down.
- d. Disconnect negative battery terminal.
- e. Do not discard stock components after removal of the factory system.

2. Removal of stock system



a. Factory airbox system.



b. Remove the 11 push-in clips.



c. Remove the engine bay side cover.



d. Remove the engine cover.



e. Remove the bolt and clip securing the inlet duct, then remove the inlet duct.



f. Disconnect the PCV hose.



g. Disconnect the MAF harness from the lower airbox.



h. Disconnect the MAF harness from the MAF sensor.



i. Loosen the hose clamp securing the inlet tube to the throttle body.



j. Unclip the 4 clips securing the airbox lid to the airbox. Remove the inlet tube/airbox lid assembly from the vehicle.



k. Remove the air filter.



l. Remove the two bolts securing the lower airbox.



m. Flip the lower airbox and disconnect the zip tie from the lower airbox bracket.



n. Factory airbox system removed.



o. Remove the stock bolt shown, this will bolt will be reused during the installation of the AEM® intake system.

3. Installation of AEM® intake system.

a. When installing the intake system, do not completely tighten the hose clamps or mounting hardware until instructed to do so.



b. Install the rubber edge trim on the heat shield.



c. Install the second piece of rubber edge trim here.



d. Install the heat shield into the engine bay. Secure the heat shield tab to the inner fender using the supplied bolt. Install the edge trim onto the heat shield.



e. Secure the heat shield tab to the inner fender with the bolt removed in step 2o. Also install the edge trim to the heat shield.



f. Install the sponge gasket around the inlet of the heat shield as shown.



g. Install the stock inlet duct into the heat shield inlet as shown.



h. Thread the supplied bolt and washer in the threaded hole of the engine block half way.



i. Install the supplied reducer coupler and hose clamps onto the throttle body.



j. Install the inlet pipe in the coupler.



k. Align the bracket with the bolt installed on step 3h.



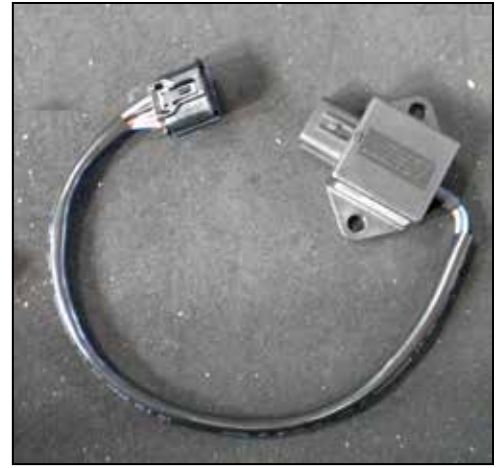
l. Reconnect the PCV hose to the inlet pipe.



m. Remove the MAF sensor from the stock airbox. Install the MAF sensor into the inlet tube using the supplied bolts.



n. Install the AEM® Dryflow™ air filter using the supplied #52 hose clamp.



o. Unplug the ETI module from itself.



p. Plug the female connector of the ETI module onto the MAF sensor.



q. Plug the male connector of the ETI module into the stock MAF sensor harness.



r. Secure the module to the heat shield using the supplied plastic rivets.



AEM® intake system installed.

4. Reassemble Vehicle

- a. Position the inlet pipes for the best fitment. Be sure that the pipes or any other components do not contact any part of the vehicle. Tighten the rubber mount, all bolts, and hose clamps.
- b. Check for proper hood clearance. Re-adjust pipes if necessary and re-tighten them.
- c. Inspect the engine bay for any loose tools and check that all fasteners that were moved or removed are properly tightened.
- d. Reconnect negative battery terminals and start engine. Let the vehicle idle for 3 minutes. Perform a final inspection before driving the vehicle.

5. Service and Maintenance

- a. It is recommended that you service your AEM® Dryflow™ filter every 20,000 miles for optimum performance. Use AEM Dryflow cleaning kit part # 21-110.
- b. Use aluminum polish to clean your polished AEM® intake tube.
- c. Use window cleaner to clean your powder coated AEM® intake tube. **(NOTE: DO NOT USE aluminum polish on powder coated AEM intake tubes)**

For technical inquiries
e-mail us at
sales@aemintakes.com
or
call us at
800.992.3000

AEM Air Intake System Warranty Policy

AEM® warrants that its intake systems will last for the life of your vehicle. AEM will not honor this warranty due to mechanical damage (i.e. improper installation or fitment), damage from misuse, accidents or flying debris. AEM will not warrant its powder coating if the finish has been cleaned with a hydrocarbon-based solvent. The powder coating should only be cleaned with a mild soap and water solution. Proof of purchase of both the vehicle and AEM intake system is required for redemption of a warranty claim.

This warranty is limited to the repair or replacement of the AEM part. In no event shall this warranty exceed the original purchase price of the AEM part nor shall AEM be responsible for special, incidental or consequential damages or cost incurred due to the failure of this product. Warranty claims to AEM must be transportation prepaid and accompanied with dated proof of purchase. This warranty applies only to the original purchaser of product and is nontransferable. Improper use or installation, use for racing, accident, abuse, unauthorized repairs or alterations voids this warranty. AEM disclaims any liability for consequential damages due to breach of any written or implied warranty on all products manufactured by AEM. Warranty returns will only be accepted by AEM when accompanied by a valid Return Merchandise Authorization (RMA) number. Credit for defective products will be issued pending inspection. Product must be received by AEM within 30 days of the date RMA is issued.

If you have a warranty issue, please call (800) 992-3000 and our customer service department will assist you. A proof of purchase is required for all AEM warranty claims.

**LEGAL IN CALIFORNIA ONLY FOR RACING VEHICLES
WHICH MAY NEVER BE USED, REGISTERED
OR LICENSED FOR USE UPON A HIGHWAY.**

See aemintakes.com for CARB status on each part for a specific vehicle