



Part No. ALL22100-22106

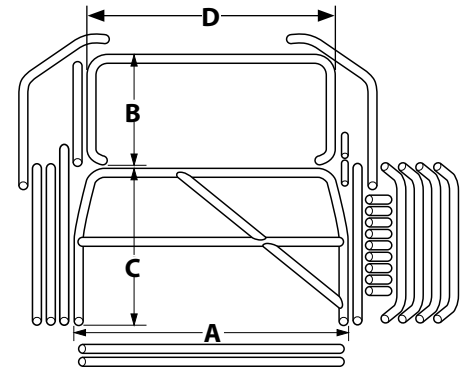
Deluxe Roll Cage Kits

Kits include all pieces to assemble a Deluxe Roll Cage. Main hoop is fitted and tack welded together allowing for changes or custom seat mounts. Curved windshield posts fit closer to windshield pillar increasing driver visibility. Halo is curved and gusseted into the main hoop for maximum width, driver clearance and support. Mild 1-3/4", .095" wall steel tubing is notched and has uniform bends. Other features include four curved and one straight driver side door bars. "Z" type right side door bars, additional lower cross bar added to main hoop for added side support and assist in seat mounting, and a center halo support. ("A", "B", "C" and "D" measurements are outside-to-outside.)



Kit Shown Assembled

Part No.	Description	"A"	"B"	"C"	"D"
ALL22100	'78-88 GM Metric Chassis (Monte Carlo, Regal, Etc.) '70-81 Camaro/Firebird	54"	28"	41"	44"
ALL22102	'70-77 Monte Carlo, Chevelle, Malibu, Etc.	55"	28"	41"	44"
ALL22105	'77-90 Caprice/Impala	57"	28"	41"	47"
ALL22106	'79-93 Mini Stock Mustang	52.5"	28"	40"	42"



Individual Components:

- ALL99200.....Main Hoop Assembly for ALL22100
- ALL99202.....Main Hoop Assembly for ALL22102
- ALL99205.....Main Hoop Assembly for ALL22105
- ALL99206.....Main Hoop Assembly for ALL22106
- ALL99220..... Component Box For ALL22100, ALL22102, ALL22105 and ALL22106
- ALL22114..... Curved Door Bar
- ALL22115.....Door Bar Spacer

REV081318

Allstar Performance 8300 Lane Dr., Watervliet, MI 49098
Phone: (269) 463-8000 Fax: (800) 772-2618 www.allstarperformance.com