



Equipped with AEM® Dryflow™ Filter
No Oil Required!

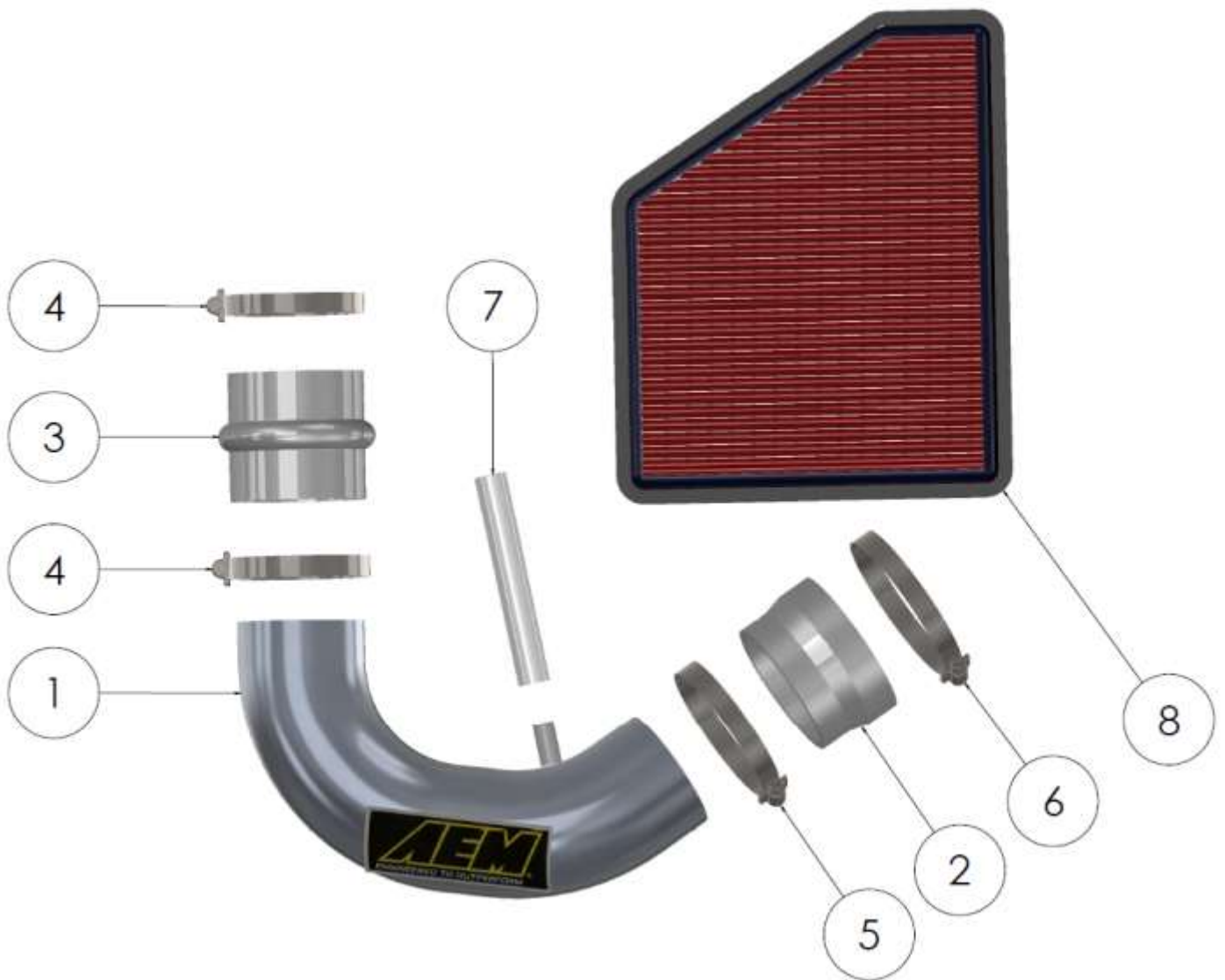
INSTALLATION INSTRUCTIONS

PART NUMBER: 22-683C (Gun Metal Gray Finish)

2010	Chevrolet	Camaro	V6-3.6L	C.A.R.B. E.O # D-670-20
2011	Chevrolet	Camaro	V6-3.6L	C.A.R.B. E.O # D-670-20
2012	Chevrolet	Camaro	V6-3.6L	C.A.R.B. E.O # D-670-20
2013	Chevrolet	Camaro	V6-3.6L	C.A.R.B. E.O # D-670-20
2014	Chevrolet	Camaro	V6-3.6L	C.A.R.B. E.O # D-670-20

Intake systems for vehicles listed are 50 state legal. See AEMIntakes.com for CARB status on each part for a specific vehicle.

ITEM NO.	PART NUMBER	DESCRIPTION	QTY.
1	2-1449C	INTAKE TUBE; CHEVROLET CAMARO	1
2	08186	HOSE; 3-1/4" TO 3" ID X 2" L	1
3	08696	HOSE; 3" ID X 3" L HUMP	1
4	9444	HOSE CLAMP, 2.31-3.25"	2
5	9448	1/2" BNDHOSE CLAMP, 2.56"-3.50"	1
6	9452	1/2" BNDHOSE CLAMP, 2.90"-3.75"	1
7	5-5005	HOSE; 1/2"ID X 5"L	1
8	28-20434	AEM DryFlow Replacement Filter	1



Read and understand these instructions **BEFORE** attempting to install this product. Failure to follow installation instructions and not using the provided hardware may damage the intake tube, throttle body and engine.

1. Preparing Vehicle

- a. Make sure vehicle is parked on level surface.
- b. Set the parking brake.
- c. If engine has run in the past two hours, let it cool down.
- d. Disconnect negative battery terminal.
- e. Do not discard stock components after removal of the factory system.
- f. Open the air intake kit package and make sure all parts are included.

Tool Needed:
Screwdriver

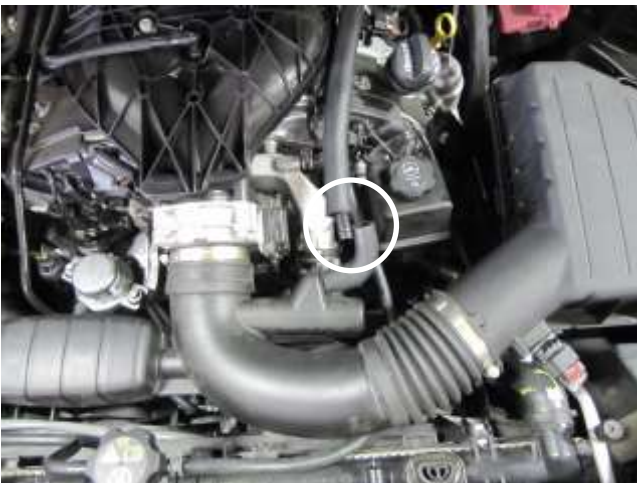
2. Removal of stock system



a. Remove the oil filter cap and pull the engine cover off the vehicle, then re-install the oil cap.



b. Loosen the hose clamps at the throttle body and the air box.



c. Disconnect the vent tube from the stock intake tube.



d. Remove the stock intake tube from the vehicle. **Note:** Do not discard your stock equipment.



e. Unclip the two tabs retaining the air box lid and remove the lid to expose the stock air filter.



f. Remove the stock filter from the lower air box.

3. Installation of AEM® intake system.

a. When installing the intake system, do not completely tighten the hose clamps or mounting hardware until instructed to do so.



a. Install the AEM air filter into the air box base as shown.



b. Install the air box lid back onto the air box base making sure the tabs latch.



c. Install the hump hose (5-1081) onto the throttle body with provided hose clamps (9444) and the stepped hose (5-1094) onto the air box with provided hose clamps (9448 & 9452).



d. Install the AEM intake tube into the couplers. **Note:** Some rotation may be needed to achieve proper alignment.



e. Attach hose(5-5005) from the vent tube to the AEM intake system. Tighten the four hose clamps.



f. Remove the oil filter cap and install the engine cover on the vehicle, then re-install the oil cap.



Factory air box system installed



AEM® intake system installed

4. Reassemble Vehicle

- a. Position the inlet pipes for the best fitment. Be sure that the pipes or any other components do not contact any part of the vehicle.
- b. Check for proper hood clearance. Re-adjust pipes if necessary and re-tighten them.
- c. Inspect the engine bay for any loose tools and check that all fasteners that were moved or removed are properly tightened.
- d. Reconnect negative battery terminal and start engine. Let the vehicle idle for 3 minutes. Perform a final inspection before driving the vehicle.

5. CARB Sticker Placement

- a. The C.A.R.B. exemption sticker, (attached), must be visible under the hood so that an emissions inspector can see it when the vehicle is required to be tested for emissions. California requires testing every two years, other states may vary.

6. Service and Maintenance

- a. AEM Induction Systems requires cleaning the intake system's air filter element every 100,000 miles. When used in dusty or off-road environments, our filters will require cleaning more often. We recommend that you visually inspect your filter once every 25,000 miles to determine if the screen is still visible. When the screen is no longer visible some place on the filter element, it is time to clean it. To clean, purchase our Synthetic air filter cleaner, part number 99-0624 and follow the easy instructions.

- b. Use window cleaner to clean your powder coated AEM® intake tube.

NOTE: DO NOT USE aluminum polish on powder coated AEM® intake tubes.

AEM Air Intake System Warranty Policy

AEM® warrants that its intake systems will last for the life of your vehicle. AEM® will not honor this warranty due to mechanical damage (i.e. improper installation or fitment), damage from misuse, accidents or flying debris. AEM® will not warrant its powder coating if the finish has been cleaned with a hydrocarbon-based solvent. The powder coating should only be cleaned with a mild soap and water solution. Proof of purchase of both the vehicle and AEM® intake system is required for redemption of a warranty claim.

This warranty is limited to the repair or replacement of the AEM® part. In no event shall this warranty exceed the original purchase price of the AEM® part nor shall AEM® be responsible for special, incidental or consequential damages or cost incurred due to the failure of this product. Warranty claims to AEM® must be transportation prepaid and accompanied with dated proof of purchase. This warranty applies only to the original purchaser of product and is nontransferable. Improper use or installation, use for racing, accident, abuse, unauthorized repairs or alterations voids this warranty. AEM® disclaims any liability for consequential damages due to breach of any written or implied warranty on all products manufactured by AEM®. Warranty returns will only be accepted by AEM® when accompanied by a valid Return Merchandise Authorization (RMA) number. Credit for defective products will be issued pending inspection. Product must be received by AEM® within 30 days of the date RMA is issued.

If you have a warranty issue, please call (800) 992-3000 and our customer service department will assist you. A proof of purchase is required for all AEM® warranty claims.

For technical inquiries
e-mail us at
sales@aemintakes.com
or
call us at
800.992.3000

**Intake systems for vehicles listed are 50
state legal. See AEMIntakes.com for CARB
status on each part for a specific vehicle.**