

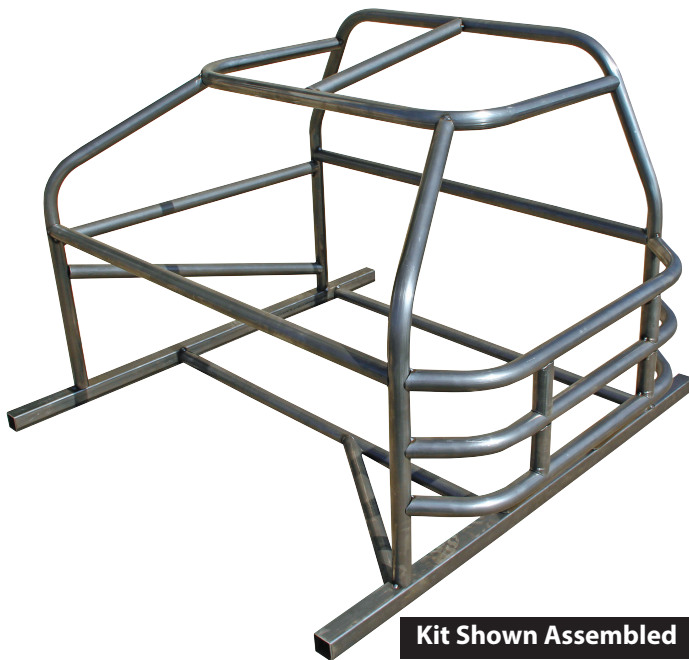


Part No. ALL22097-22098

## Roll Cage Kits For Dodge Neon and Ford Focus

Cage kits are designed with safety in mind for mini enduro and four cylinder classes. These cages are built specifically for Dodge Neon and Ford Focus cars. Kits are constructed of .095" wall x 1-3/4" mild Steel tubing and include a main hoop, halo, windshield posts, front and rear dash bars, three door bars for the left side, and a Z-bar for the right side. Kits also include the components to build a sturdy foundation for installing the main cage, similar to the ALL22650. Welding required.

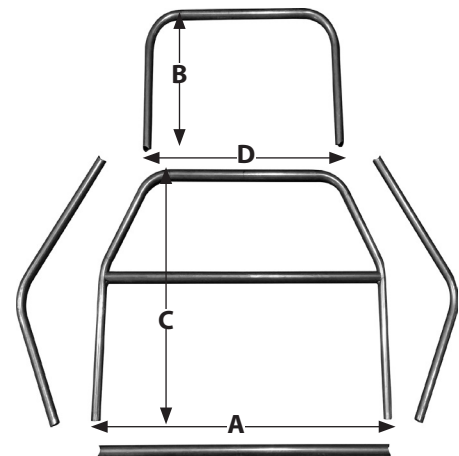
Part No.	Description	"A"	"B"	"C"	"D"
ALL22097	1995-2005 Dodge Neon	53.5"	24.5"	38"	39"
ALL22098	1998-2011 Ford Focus	54.5"	24.5"	41"	42.5"



**Kit Shown Assembled**



**ALL99227  
ALL99228**



**ALL99197  
ALL99198**

### Individual Components:

- ALL99197.....Main Hoop Assembly for ALL22097
- ALL99227.....Component Box for ALL22097
- ALL99198.....Main Hoop Assembly for ALL22098
- ALL99228.....Component Box for ALL22098
- ALL22114.....Door Bar for ALL22097
- ALL99468.....Door Bar for ALL22098
- ALL22115.....Door Bar Spacer 4" ( Spaces Door Bars 3" Apart)
- ALL22116.....Door Bar Spacer 5" ( Spaces Door Bars 4" Apart)

REV090220

**Allstar Performance 8300 Lane Dr., Watervliet, MI 49098**  
**Phone: (269) 463-8000 Fax: (800) 772-2618 [www.allstarperformance.com](http://www.allstarperformance.com)**