



TH-700R4 Transmission Kickdown Cable Carburetor Bracket P/N 20-100 for Holley Model 4011 Carburetor Installation Instructions

INTRODUCTION

This bracket is designed to be used only on the **Holley model 4011** carburetor. It bolts on the Carburetor flange ear and provides an effective mounting point for the **AOD** transmission cable and throttle cable providing the correct detent adjustment.

WARNING! Only P/N 20-100 should be used on model 4011 carburetors. Use of another manufacturer's bracket or other component will lead to improper adjustment of detent causing transmission damage and/or failure to overdrive transmissions.

WARNING! These instructions must be read and fully understood before beginning installation. Failure to follow these instructions may result in poor vehicle performance, vehicle or system damage, personal injury, or death. If these instructions are not fully understood, installation should not be attempted.

NOTE: Holley makes several different transmission Kickdown brackets for several different types of applications. If you are unsure of which model of carburetor you own please contact Holley Tech Service at 270-781-8741, Monday through Friday, 7:00 a.m. to 5:00 p.m. CST.

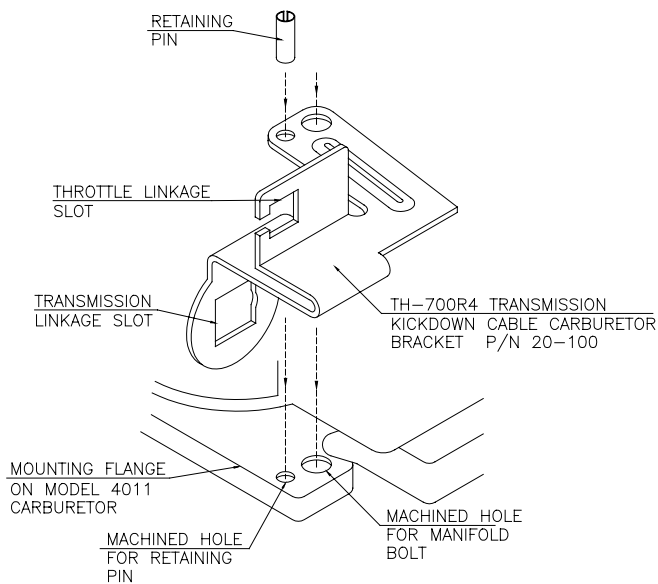
PARTS LIST

- 20-100 TH-700R4 Transmission Kickdown Cable Carburetor Bracket
- Retaining Pin

TOOLS REQUIRED FOR INSTALLATION

- Ball Peen Hammer
- 1/2" Socket and Ratchet or 1/2" Wrench

INSTALLATION:



P/N 20-100 Kick-down Bracket Installation

Figure 1

1. Remove old carburetor following the instructions provided with your new carburetor unit. Take special care in marking vacuum lines, wiring and linkages. This is very important when installing the replacement unit.
2. Install the new base gasket and slide the carburetor unit onto the manifold flange studs as shown in your new carburetor unit instructions.
3. Now slide the Kickdown Plate onto the Manifold flange stud as shown in figure 1. The plate location will be at the rear of the carburetor on the driver's side. Hand thread the nut onto the manifold flange stud to hold kick-down plate in place. Hand thread the remaining nuts.

NOTE: Never tighten a new carburetor down until all vacuum lines, wiring, and linkages have been connected. This is to avoid any binding that may occur when the carburetor is finally tightened to the manifold.

4. Using a Ball Peen hammer tap the retaining pin through the kickdown plate and into the carburetor-mounting flange. This will keep the kick down plate from turning side to side. **DO NOT** use excessive force when inserting the retaining pin. Forcing the retaining pin may crack or damage the carburetor-mounting flange.
5. Tighten the mounting nuts on the manifold studs in a criss-cross pattern. Nuts should be torque to 60-80 in./lbs., also in a criss-cross fashion.

WARNING! Over torquing may bind the throttle shaft or crack the ears of the carburetor body mounting flange.

6. Following the instructions provided with your new carburetor make all final connections to the carburetor, such as vacuum lines, wiring, and linkages. At this time the factory throttle/transmission linkage bracket should be removed. Connect the throttle and transmission bracket to the new kickdown bracket by inserting the factory connectors into the cut-outs in the kickdown bracket.