

AEM INSTALLATION INSTRUCTIONS

Part Number: AE-10796

This filter fits: See current AEM® catalog for current applications

With proper care, this filter will last the life of your vehicle. This filter may be used in a stock machine, and no modifications will be required. However there are special installation instructions, so please follow the procedures outlined below to ensure that the AEM® air filter seals properly.

INSTALLATION:

1. Remove the filter / intake elbow assembly from the airbox.
2. Slide the stock filter off of the intake elbow.
3. Clamp the AEM® air filter to the intake elbow. (Fig. 1)
4. Insert the filter / intake elbow assembly into the lower half of the airbox. (Fig. 2)
5. After the intake tube is properly seated into its receptacle, push the closed end of the AEM® air filter down into the airbox until it is positioned properly. (Fig. 3)
6. Re-install the airbox lid. (Fig. 4)

THESE INSTRUCTIONS MUST BE FOLLOWED EVERY TIME THE FILTER IS SERVICED, OTHERWISE THE FILTER MAY NOT SEAL, AND DAMAGE TO THE ENGINE COULD RESULT.

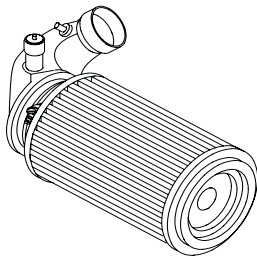


Fig. 1

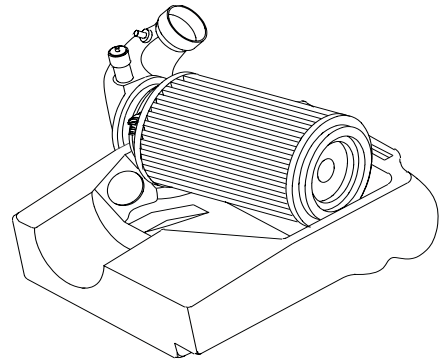


Fig. 2

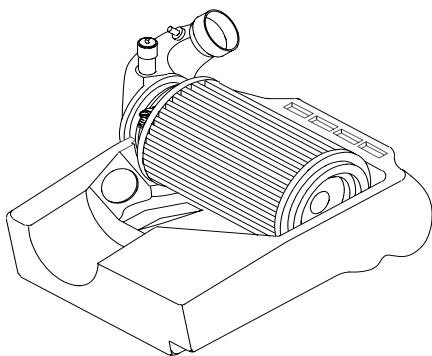


Fig. 3

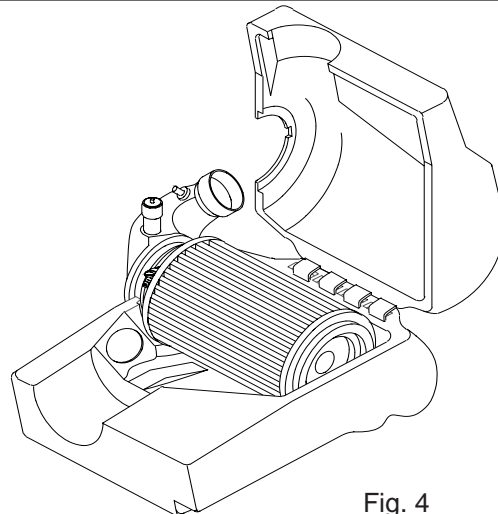


Fig. 4