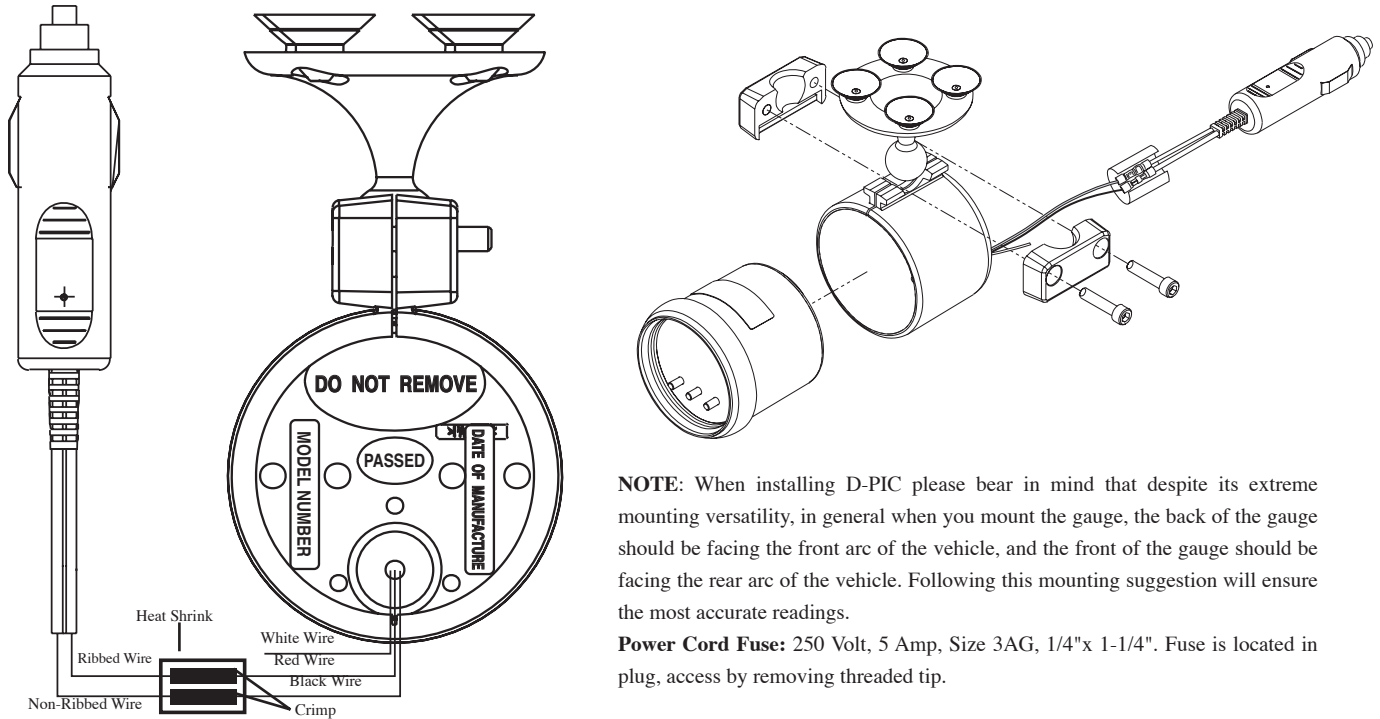


Questions: If you have questions regarding the operation or installation of your instrument(s), please contact Auto Meter Technical Service at 815-899-0801. You may also email us at service@autometer.com. Additional information can also be found at <http://www.autometer.com>



NOTE: When installing D-PIC please bear in mind that despite its extreme mounting versatility, in general when you mount the gauge, the back of the gauge should be facing the front arc of the vehicle, and the front of the gauge should be facing the rear arc of the vehicle. Following this mounting suggestion will ensure the most accurate readings.

Power Cord Fuse: 250 Volt, 5 Amp, Size 3AG, 1/4"x 1-1/4". Fuse is located in plug, access by removing threaded tip.

1. Remove all pieces from packaging.
2. Follow these instructions to attach the power cord to your existing D-PIC gauge.
 - a. Trim red and black wires to approximately 3" from back of gauge.
 - b. Strip wire insulation back 3/8" on both wires. Strip the wires of the power cord (if necessary).
 - c. Dimming (White) Wire – D-PIC offers an optional dimming/nighttime illumination wire for adjusting brightness while driving. Supplying 12v to this wire will cause D-PIC to dim to half of its normal operating brightness. It is suggested that you connect this wire to your headlight switch or vehicle dimmer circuit so that D-PIC dims when you turn your headlights on. On newer vehicles with Pulse Width Modulated (PWM) dimming (such as but not limited to 2000 and newer GM models) it will be necessary to connect to parking lamps or taillight circuit.
 - i. Connect white wire to vehicle's lighting dimmer circuit.
 - ii. If not interested in connecting to dimmer circuit, trim white wire to back of gauge as desired. Gauge will still function properly without white wire being connected.
 - d. Place supplied heat shrink tubing over stripped ends of supplied power cord.
 - e. Using the supplied red crimp terminals, crimp the ribbed wire of the power cord to the red wire of the D-PIC.
 - f. Crimp the non-ribbed, smooth wire of the power cord to the black wire of the D-PIC.
 - g. Slide heat shrink tubing over crimps and apply heat to shrink in place.
3. For added security, it is recommended that the threaded mounting studs included with the gauge be installed into the back of the gauge and the thumbnuts be threaded onto the mounting studs.
4. Route power cord through gauge clamp, install and position gauge in the desired position.
5. Install two #8-32 x 1/2" Allen screws into the Gauge Clamps using a 9/64 Allen wrench, tighten until snug.
6. Clean area of windshield where suction mount will be attached.
7. Attach suction mount to windshield. Position the gauge so it is readable and does not block the view of the driver.
8. Once the gauge is in the desired position, tighten the screws on the clamps to 15 in./lbs.

Service - For service send your product to Auto Meter in a well packed shipping carton. Please include a note explaining what the problem is along with your phone number. Please specify when you need the product back. If you need it back immediately mark the outside of the box "RUSH REPAIR," and Auto Meter will service product within two days after receiving it. (\$10.00 charge will be added to the cost of "RUSH REPAIR.") If you are sending product back for Warranty adjustment, you must include a copy (or original) of your sales receipt from the place of purchase.

12 Month Limited Warranty - Auto Meter Products, Inc. warrants to the consumer that this product will be free from defects in material and workmanship for a period of twelve (12) months from date of the original purchase. Products that fail within this 12 month warranty period will be repaired or replaced at Auto Meter's option to the consumer, when it is determined by Auto Meter Products, Inc. that the product failed due to defects in material or workmanship. This warranty is limited to the repair or replacement of parts in the Auto Meter instruments. In no event shall this warranty exceed the original purchase price of the Auto Meter instruments nor shall Auto Meter Products, Inc. be responsible for special, incidental or consequential damages or costs incurred due to the failure of this product. Warranty claims to Auto Meter must be transportation prepaid and accompanied with dated proof of purchase. This warranty applies only to the original purchaser of product and is non-transferable. All implied warranties shall be limited in duration to the said 12 month warranty period. Breaking the instrument seal, improper use or installation, accident, water damage, abuse, unauthorized repairs or alterations voids this warranty. Auto Meter Products, Inc. disclaims any liability for consequential damages due to breach of any written or implied warranty on all products manufactured by Auto Meter.

FOR SERVICE SEND TO: AUTO METER PRODUCTS, INC. 413 W. Elm St., Sycamore, IL 60178 (815) 899-0801

For Email: Service@autometer.com