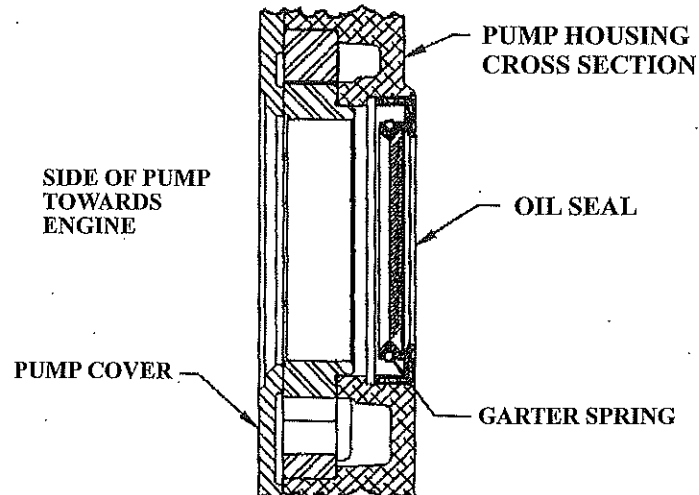


M19115  
REV. B

### INSTALLATION INSTRUCTIONS



When installing this oil pump take care not to damage the crankshaft oil seal. Before installation lubricate the area of the crankshaft where the oil seal will make contact. Verify that the garter spring is in place. During installation make sure the crankshaft does not damage the oil seal lip or dislodge the garter spring.