



Technical Support Line: (952) 985-5675 Email: Info@QA1.net

INSTALLATION INSTRUCTIONS

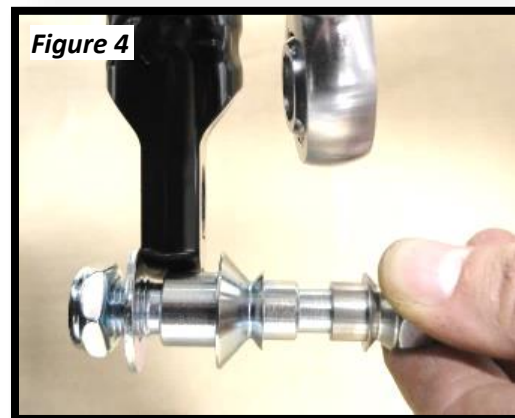
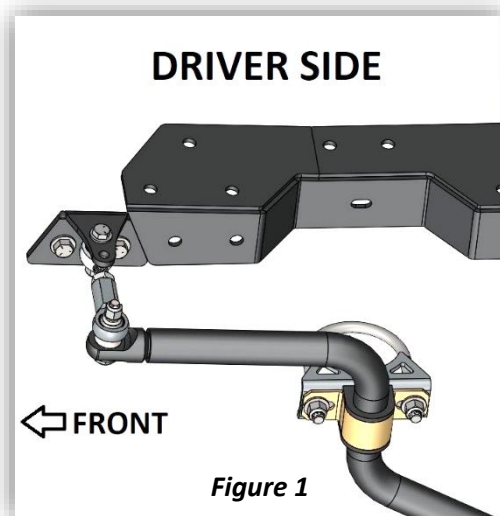
C1500 REAR SWAY BAR

P/N 52868

TOOLS AND SUPPLIES REQUIRED

- Floor Jack
- Jack Stands
- SAE Wrench Set
- SAE Ratchet & Socket Set

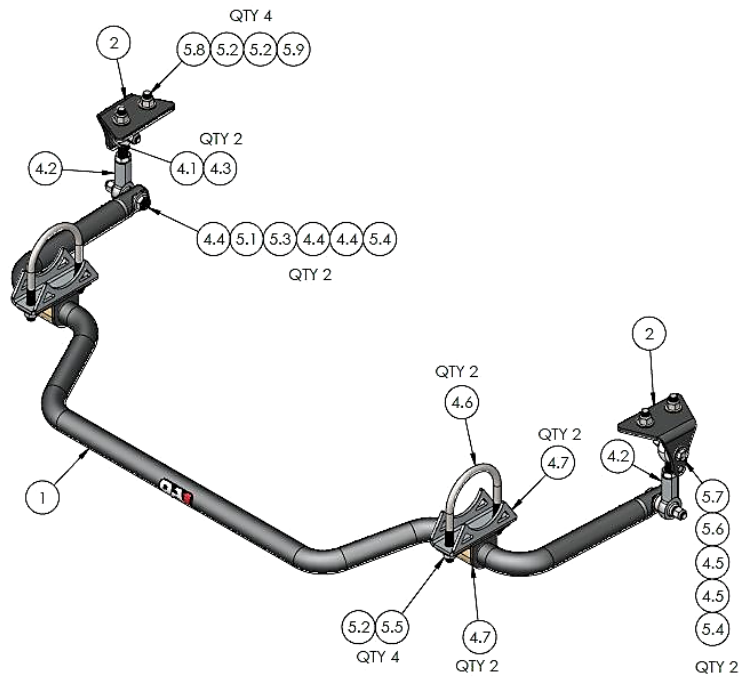
1. Jack the rear of the truck up and securely place on jack stands.
2. Position the sway bar frame bracket forward of the notch bracket with the end link mount towards the outer frame and the contour of the bracket matching the contour of the notch bracket. **(Figure 1)**
3. Mark and drill the bracket holes to 7/16" before mounting to driver and passenger side using 7/16" bolts, washers, and nylock nuts. **(Figure 1)**
4. Mount the sway bar with the chassis mounts to the axle using the included bushings, bushing mounts, axle u-bolts, 1/2" washers, and 1/2" nuts. Evenly space sway bar to frame mounts. Torque to 70 ft. lb. **(Figure 2)**
5. Thread the 1/2" male right hand rod end into the female rod end to be used as the sway bar end link. **(Figure 3)**



6. Attach one end of the assembled rod end link to the frame mount using two high misalignment spacers installed into the rod end. Fasten to frame mount using 3/8" x 2" bolts, with a washer on the nylock nut side of the mount. The rod end link will mount to the inside of the mount **(Figure 1)** in the top hole as a starting point. Torque to 31 lb. ft.
7. Attach the sway bar to the adjuster link using the specialty high misalignment stud with 1/2" washer and nylock nut on the sway bar side. Attach the link side using high misalignment spacer and a 3/8" nylock nut. Torque connection to 31 lb. ft. **(Figure 4)**
8. At ride height, adjust end links so that the sway bar is parallel with the ground. Tighten jam nuts to complete the install.

9. Grease the zerk fittings with 2-3 pumps of marine grease for bushing connections.

BALLOON #	ITEM #	DESCRIPTION	QTY.
1	9037-846	SWAY BAR, REAR 1 1/4", BLACK	1
2	9037-849	BRACKET, FRAME MOUNT, REAR	2
3	9093-122	DECAL, SUSPENSION DECAL, USA	1
4	9037-890	INSTALL KIT, REAR SWAY BAR	1
4.1	XMR8	ROD END (X) ENDURA ALLOY HT	2
4.2	XFR8	ROD END (X) ENDURA ALLOY HT	2
4.3	JNR8S	Jam Nut, Right Hand Thread	2
4.4	9029-309	HIGH MISALIGNMENT STUD	2
4.5	SG8-64	HIGH MISALIGNMENT SPACER, .5" OD	6
4.6	9012-204	U-Bolt, 7/16-20 X 3.0"	2
4.7	9032-171	BUSHING, SWAY BAR FRAME MOUNT 1-1/4"	2
4.8	9037-628	BRACKET, AXLE SADDLE MOUNT, 3 INCH	2
5	9037-862	HARDWARE KIT, REAR SWAY BAR	1
5.1	-	JAM NUT, NYLOCK, 1/2-13	2
5.2	-	WASHER, 7/16, SAE	12
5.3	-	WASHER, SAE, 1/2	2
5.4	-	NUT, NYLOCK, 3/8-16	4
5.5	-	NUT, NYLOCK, 7/16-20	4
5.6	-	WASHER, 3/8, SAE	2
5.7	-	BOLT, 3/8-16 X 2.00"	2
5.8	-	BOLT, 7/16-14 X 1.25"	4
5.9	-	NUT, NYLOCK, 7/16-14	4



Technical Support Line: (952) 985-5675 Email: Info@QA1.net

READ ALL INSTRUCTIONS CAREFULLY AND THOROUGHLY PRIOR TO STARTING INSTALLATION. PRODUCTS THAT HAVE BEEN INSTALLED ARE NOT ELIGIBLE FOR RETURN. USE THE PROPER JACKING LOCATIONS. DEATH OR SERIOUS INJURY CAN RESULT IF INSTRUCTIONS ARE NOT CORRECTLY FOLLOWED. A GOOD CHASSIS MANUAL, AVAILABLE AT YOUR LOCAL PARTS STORE, MAY ALSO AID IN YOUR INSTALLATION.

• DISCLAIMER / WARRANTY •

QA1 WARRANTS THAT THE PRODUCTS WILL BE FREE FROM DEFECTS IN MATERIAL AND WORKMANSHIP FOR ONE YEAR FROM DATE OF SALE TO THE ORIGINAL PURCHASER. QA1 MAKES NO OTHER WARRANTY OF ANY KIND, EXPRESS OR IMPLIED. QA1 SHALL HAVE NO OBLIGATION UNDER THE FOREGOING WARRANTY WHERE THE DEFECT IS THE RESULT OF IMPROPER OR ABNORMAL USE, YOUR NEGLIGENCE, VEHICLE ACCIDENT, IMPROPER OR INCORRECT INSTALLATION OR MAINTENANCE, NOR WHEN THE PRODUCT HAS BEEN REPAIRED OR ALTERED IN ANY WAY. QA1'S LIABILITY IN THE CASE OF DEFECTIVE PRODUCTS SUBJECT TO THE FOREGOING WARRANTY SHALL BE LIMITED TO THE REPAIR OR REPLACEMENT, AT QA1'S OPTION, OF THE DEFECTIVE PRODUCTS.

THE USER UNDERSTANDS AND RECOGNIZES THAT RACING PARTS, SPECIALIZED STREET ROD EQUIPMENT, AND ALL PARTS AND SERVICES SOLD BY QA1 ARE EXPOSED TO MANY AND VARIED CONDITIONS DUE TO THE MANNER IN WHICH THEY ARE INSTALLED AND USED. QA1 SHALL BEAR NO LIABILITY FOR ANY LOSS, DAMAGE OR INJURY, EITHER TO A PERSON OR TO PROPERTY, RESULTING FROM THE INSTALLATION, DIRECT OR INDIRECT USE OF ANY QA1 PRODUCTS OR INABILITY BY THE BUYER TO DETERMINE PROPER USE OR APPLICATION OF QA1 PRODUCTS. WITH THE EXCEPTION OF THE LIMITED LIABILITY WARRANTY SET FORTH ABOVE, QA1 SHALL NOT BE LIABLE FOR ANY CLAIMS, DEMANDS, INJURIES, DAMAGES, ACTIONS, OR CAUSES OF ACTION WHATSOEVER TO BUYER ARISING OUT OF OR CONNECTED WITH THE USE OF ANY QA1 PRODUCTS. MOTORSPORTS ARE DANGEROUS; AS SUCH, NO WARRANTY OR REPRESENTATION IS MADE AS TO THE PRODUCT'S ABILITY TO PROTECT THE USER FROM INJURY OR DEATH. THE USER ASSUMES THAT RISK!