



Equipped with AEM® Dryflow™ Filter  
No Oil Required!

# INSTALLATION INSTRUCTIONS

## PART NUMBER

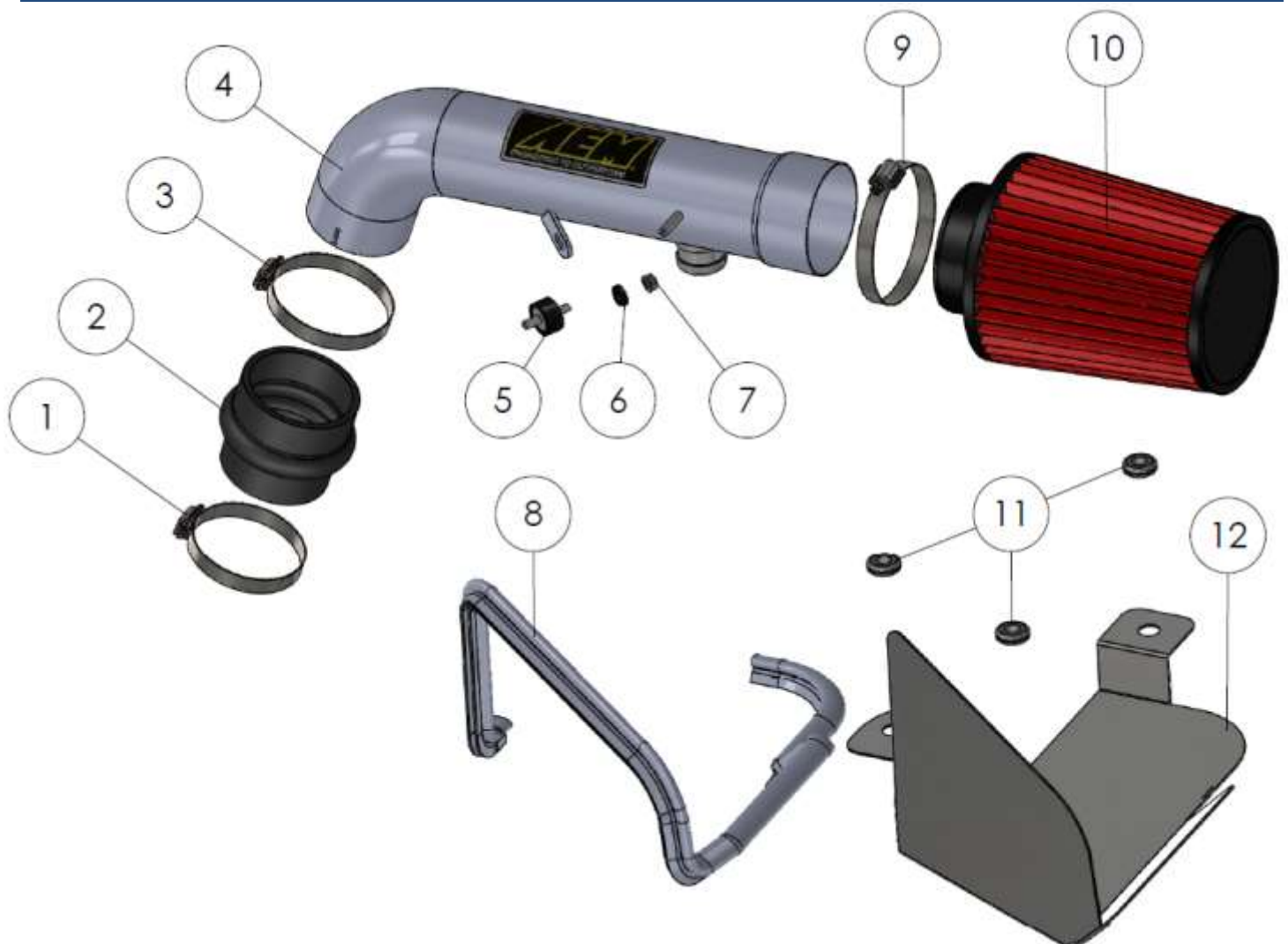
### 21-746WR (Wrinkle Red Finish)

---

2015	VOLKSWAGEN	GOLF	1.8/2.0 L
2015	VOLKSWAGEN	GTI	2.0L

Not legal for sale or use on any pollution controlled motor vehicle in California or states adopting California emission procedures. See [AEMIntakes.com](http://AEMIntakes.com) for CARB status on each part for a specific vehicle.

ITEM NO.	PART NUMBER	DESCRIPTION	QTY.
1	9444	HOSE CLAMP, 2.31-3.25"	1
2	5-573	HOSE; HUMP 2.75/3.00 X 3.00"	1
3	9448	1/2" BNDHOSE CLAMP, 2.56"-3.50"	1
4	2-1519WR	TUBE; 3"OD X 18"L, (PC), 21-746, WR	1
5	07027	STUD; M6-1.00 M/M, RUBBER MNTD	1
6	08275	WASHER; 1/4"ID X 5/8"OD - SAE	1
7	444.460.04	NUT; M6 HEX SERRATED	1
8	102471	EDGE TRIM; 3/4 BULB, TOP LOC, 35"L	1
9	9456	1/2" BNDHOSE CLAMP, 3.15"-4.00"	1
10	21-2113DK	AIR FILTER; 3.25" X 7" DRYFLOW	1
11	784632	GROMMET, 7/16"	3
12	20-8544	HEAT SHIELD; 21-746 VOLKSWAGEN	1



Read and understand these instructions **BEFORE** attempting to install this product. Failure to follow installation instructions and not using the provided hardware may damage the intake tube, throttle body and engine.

**Tools Needed:**

Flat Head Screw driver  
10MM Box End Wrench

## 1. Preparing Vehicle

- a. Make sure vehicle is parked on level surface.
- b. Set the parking brake.
- c. If engine has run in the past two hours, let it cool down.
- d. Disconnect negative battery terminal.
- e. Do not discard stock components after removal of the factory system.
- f. Open the air intake kit package and make sure all parts are included.

## 2. Removal of stock system



a. Remove the two hoses from the air box. The smaller hose will just slide off. The big hose will need to be squeezed to unlatch it.



b. Loosen the hose clamp at the turbo compressor inlet and disconnect the intake tube.



c. There are 3 rubber push on grommets securing the air box to the vehicle. Lift up on the air box and remove it from the vehicle.

### 3. Installation of AEM® intake system.

- a. When installing the intake system, do not completely tighten the hose clamps or mounting hardware until instructed to do so.



- a. Install the 3 grommets into the heat shield, then install the edge trim onto the shield as shown.



- b. Install the hump hose and two hose clamps onto the compressor inlet and tighten the hose clamp circled.



- c. Using warm water and soap, lubricate the three dowel locators circled and align the grommets with them. Push down on the heat shield to secure.



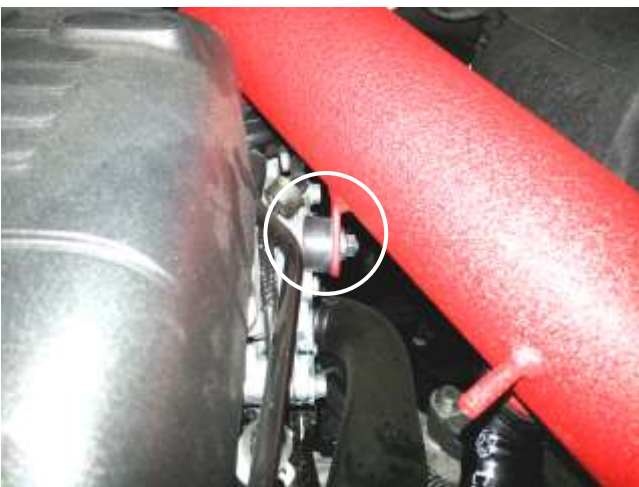
- d. Install the provided stud into the location shown on the engine.



e. Using warm water and soap, lubricate the O-ring on the factory connector. Then slide it onto the AEM intake tube making sure it latches into place. Note: Due to factory tolerances, rotating the fitting may be necessary.



f. Install the AEM intake tube into the hump hose. Do not tighten the hose clamp yet.



g. Align the bracket with the mount and install the provided washer and nut. Do not tighten at this time.



h. Slide the small hose that was removed in step 2a. onto the AEM intake tube.



i. Install the AEM filter onto the AEM tube and tighten the hose clamp circled. Once the filter is installed adjust the tube height and tighten the nut from 3g. Once the nut is tightened secure the tube to the hump hose in step 3f with the hose clamp.



STOCK INTAKE INSTALLED



AEM INTAKE INSTALLED

#### 4. Reassemble Vehicle

- a. Position the inlet pipes for the best fitment. Be sure that the pipes or any other components do not contact any part of the vehicle.
- b. Check for proper hood clearance. Re-adjust pipes if necessary and re-tighten them.
- c. Inspect the engine bay for any loose tools and check that all fasteners that were moved or removed are properly tightened.
- d. Reconnect negative battery terminal and start engine. Let the vehicle idle for 3 minutes. Perform a final inspection before driving the vehicle.

#### 5. Service and Maintenance

- a. AEM Induction Systems requires cleaning the intake system's air filter element every 100,000 miles. When used in dusty or off-road environments, our filters will require cleaning more often. We recommend that you visually inspect your filter once every 25,000 miles to determine if the screen is still visible. When the screen is no longer visible some place on the filter element, it is time to clean it. To clean, purchase our Synthetic air filter cleaner, part number 1-1000 and follow the easy instructions.
- b. Use window cleaner to clean your powder coated AEM<sup>®</sup> intake tube.

**NOTE: DO NOT USE aluminum polish on powder coated AEM<sup>®</sup> intake tubes.**

For technical inquiries  
e-mail us at  
[sales@aemintakes.com](mailto:sales@aemintakes.com)  
or  
call us at  
800.992.3000

## **AEM Air Intake System Warranty Policy**

AEM® warrants that its intake systems will last for the life of your vehicle. AEM® will not honor this warranty due to mechanical damage (i.e. improper installation or fitment), damage from misuse, accidents or flying debris. AEM® will not warrant its powder coating if the finish has been cleaned with a hydrocarbon-based solvent. The powder coating should only be cleaned with a mild soap and water solution. Proof of purchase of both the vehicle and AEM® intake system is required for redemption of a warranty claim.

This warranty is limited to the repair or replacement of the AEM® part. In no event shall this warranty exceed the original purchase price of the AEM® part nor shall AEM® be responsible for special, incidental or consequential damages or cost incurred due to the failure of this product. Warranty claims to AEM® must be transportation prepaid and accompanied with dated proof of purchase. This warranty applies only to the original purchaser of product and is nontransferable. Improper use or installation, use for racing, accident, abuse, unauthorized repairs or alterations voids this warranty. AEM® disclaims any liability for consequential damages due to breach of any written or implied warranty on all products manufactured by AEM®. Warranty returns will only be accepted by AEM® when accompanied by a valid Return Merchandise Authorization (RMA) number. Credit for defective products will be issued pending inspection. Product must be received by AEM® within 30 days of the date RMA is issued.

If you have a warranty issue, please call (800) 992-3000 and our customer service department will assist you. A proof of purchase is required for all AEM® warranty claims.

**Not legal for sale or use on any pollution controlled motor vehicle in California or states adopting California emission procedures. See [AEMIntakes.com](http://AEMIntakes.com) for CARB status on each part for a specific vehicle.**