



Holley Accessory Drive Kit Fitment and Required Components Guide Part Number 20-135

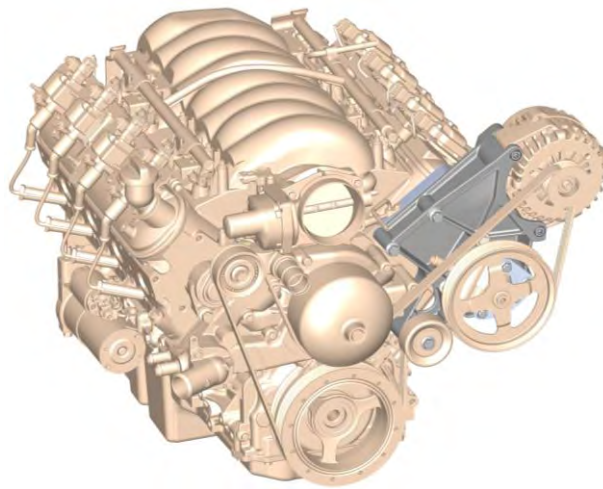
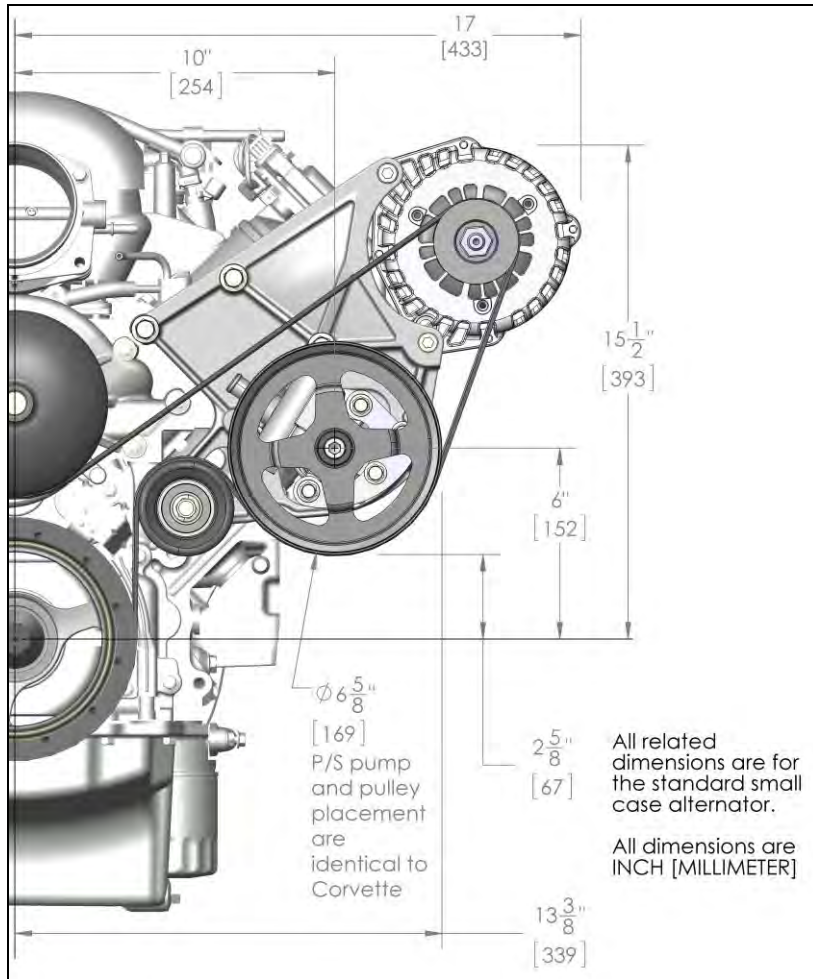


Table of Contents

Introduction:.....	2
Crank Pulley Belt Alignment Determination:	3
Overview of Parts Needed (but NOT included with 20-135 bracket kit):	3
Water Pump Determination:.....	4
Idler Pulley Options:	7
Power Steering Pump Options:	8
Power Steering Pump Pulleys:	9
Alternator Options:	10
Power Steering Pump Reservoir Options:	11



Introduction:

Holley's accessory drive kits offer clean, economical mounting of all LS engine accessories. These brackets look truly at home on any LS engine as if they came from the factory this way.

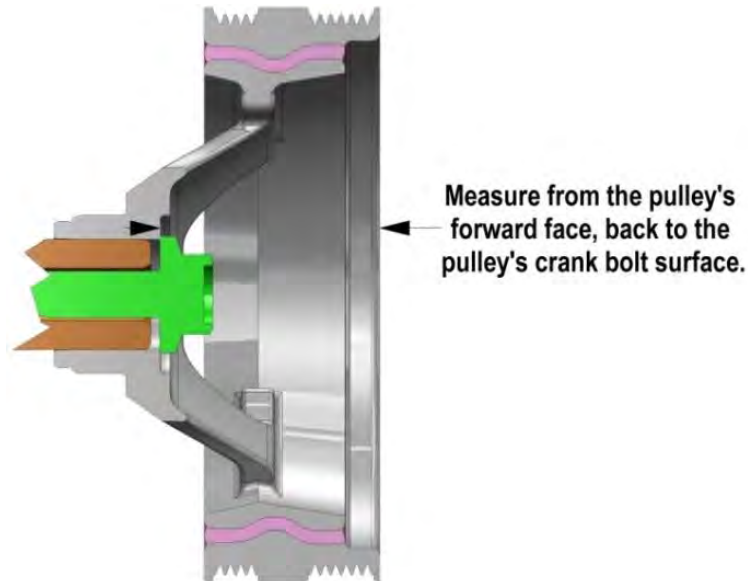
Holley's kits supply the required brackets and hardware needed for installation, but allow you to choose the source for supplemental accessories and components that are often already on the donor engine or the vehicle the engine is going into. Whether sourcing from the salvage yard, the local auto parts store, your GM parts dealer, or Holley and their premium matched components; you pick the source that matches your expectations and budget.

The 20-135 bracket kit is intended for use with engines using the stock tensioner assembly and water pump and either NO A/C or the engine's original A/C bracket and compressor. This bracket will also work with Holley A/C bracket kit 20-133 or 20-134.

This guide will help with locate and source components, as well as supplying notes and helpful hints for each. The first step is to determine which belt alignment you want to proceed with. This is determined by the crank pulley and often, but not always, the water pump. If clearance to the radiator is an issue, the compact STANDARD spacing common on the Corvette may be preferred. Otherwise, it is most cost effective to retain the existing crank pulley/water pump and space the bracket and other accessories to match. An application specific installation kit (part # 21-2 or 21-3) is REQUIRED for Middle and Long belt alignments. No installation kit is required when installing a 20-135 on an application with a Standard belt alignment.

Note: All Corvette part application references in this guide are to NON-supercharged LS engines.

Crank Pulley Belt Alignment Determination:



See the below chart for reference dimensions.

Overview of Parts Needed (but NOT included with 20-135 bracket kit):

Components with specific belt alignments

Belt Alignment Group	LS Application (Alignment Specific)	Holley Installation Kit (Alignment Specific)	Crank Pulley (Reference Dimension)		Water Pump (Alignment Specific)	Original Equipment Passenger's side A/C assembly
					GM #	GM # (Numerous)
Standard	Corvette / CTS-V / G8	N/A	1.5"	37 MM	19256263, 89018052, or 12604630	Most LS passenger's side A/C compressors and brackets can be used with this kit, but only in conjunction with the original belt alignment and components (Original water pump, crank pulley, and tensioner).
Middle	F-body / GTO	21-2	2.25"	55 MM	19256263	
Long	Camaro ('10-UP) / Truck (all)	21-3	3"	75 MM	19207665 or any truck WP	

Components that will work with all belt alignments

Smooth Idler Pulley	Alternator	Power Steering Pump Pulley	Power Steering Pump	Reservoir Assembly (optional)	Passenger's Side Bracket
Holley # / GM #	Holley # / GM #	Holley # / GM #	Holley # / GM #	Holley # / GM #	Holley #
97-150 / 12564401	197-300 or 197-301 / 10480326 or 15754097	97-152 / 12568997 or 12578552	198-100 / 26120639 or 25960709	198-200 (kit) / 15907878, 26095119, 26046502, and 12555222	20-133 and 20-134 (also requires installation kit 21-1, 21-2, or 21-3)

Water Pump Determination:

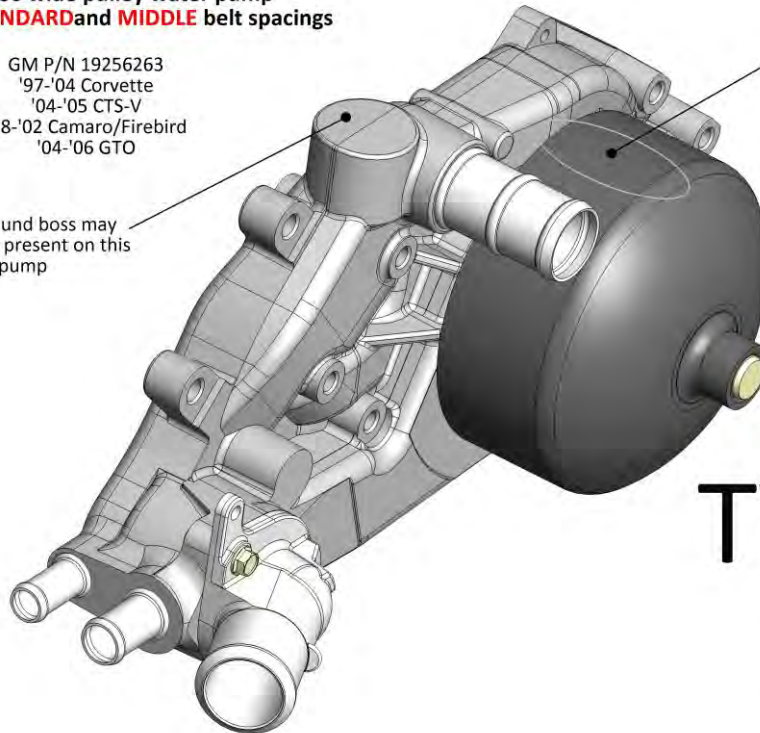
To determine which water pump type you have, refer to the following illustrations:

LS1/LS2/LS6 wide pulley water pump
Works with **STANDARD** and **MIDDLE** belt spacings

GM P/N 19256263
'97-'04 Corvette
'04-'05 CTS-V
'98-'02 Camaro/Firebird
'04-'06 GTO

This round boss may not be present on this water pump

Identifying feature:
Wide pulley allowing for both standard and middle belt spacings

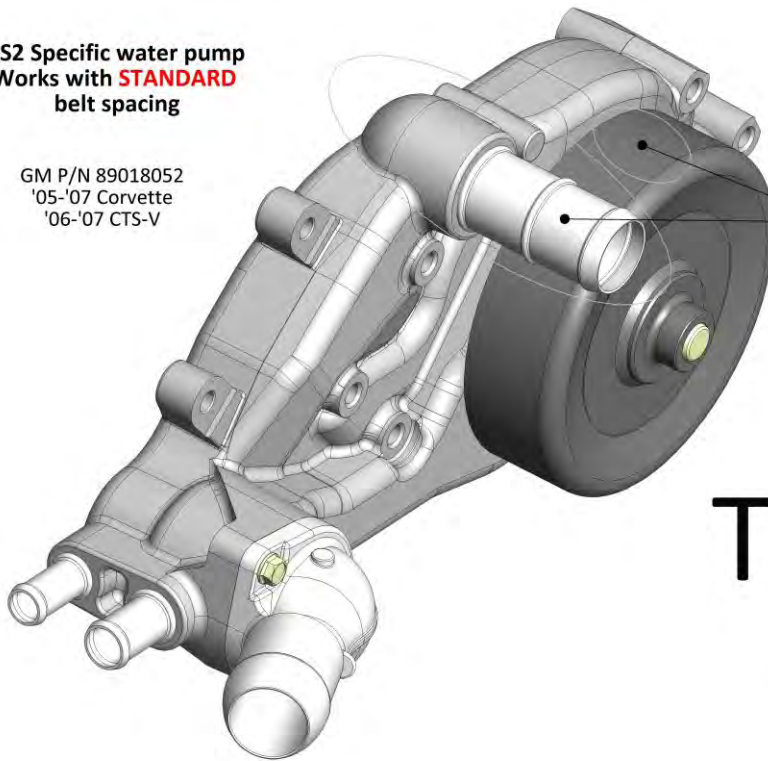


**TYPE
1**

LS2 Specific water pump
Works with **STANDARD** belt spacing

GM P/N 89018052
'05-'07 Corvette
'06-'07 CTS-V

Identifying features:
Narrow pulley and passenger's side outlet



**TYPE
2**

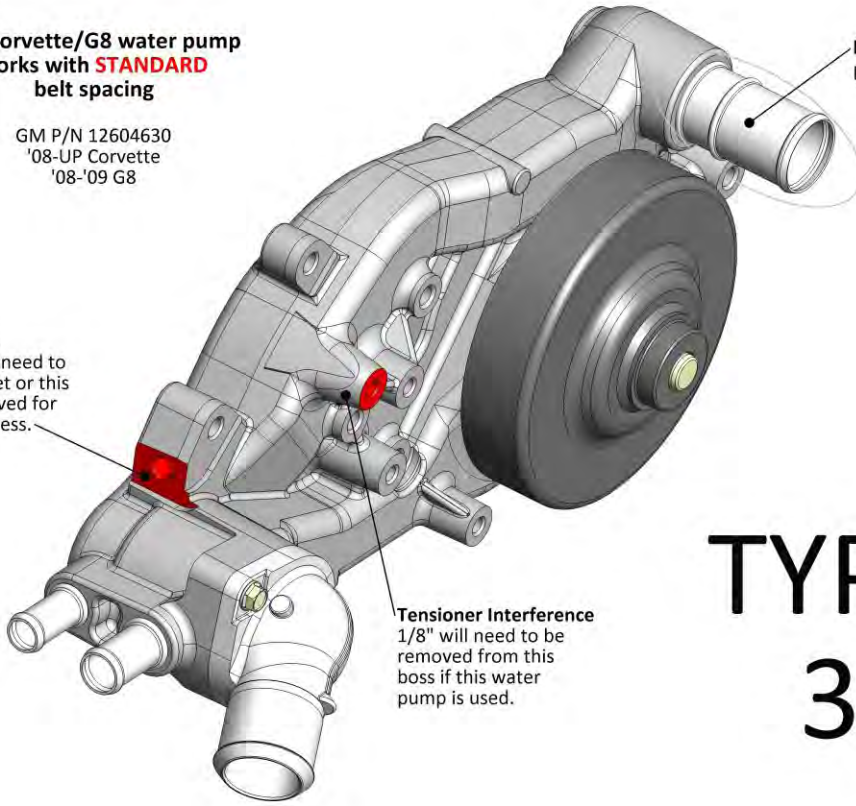
LS3 Corvette/G8 water pump
Works with **STANDARD**
belt spacing

GM P/N 12604630
'08-UP Corvette
'08-'09 G8

Identifying feature:
Driver's side outlet

Bracket Bolt Access
Either the water pump will need to
be installed after the bracket or this
area will need to be removed for
bracket/spacer bolt access.

Tensioner Interference
1/8" will need to be
removed from this
boss if this water
pump is used.

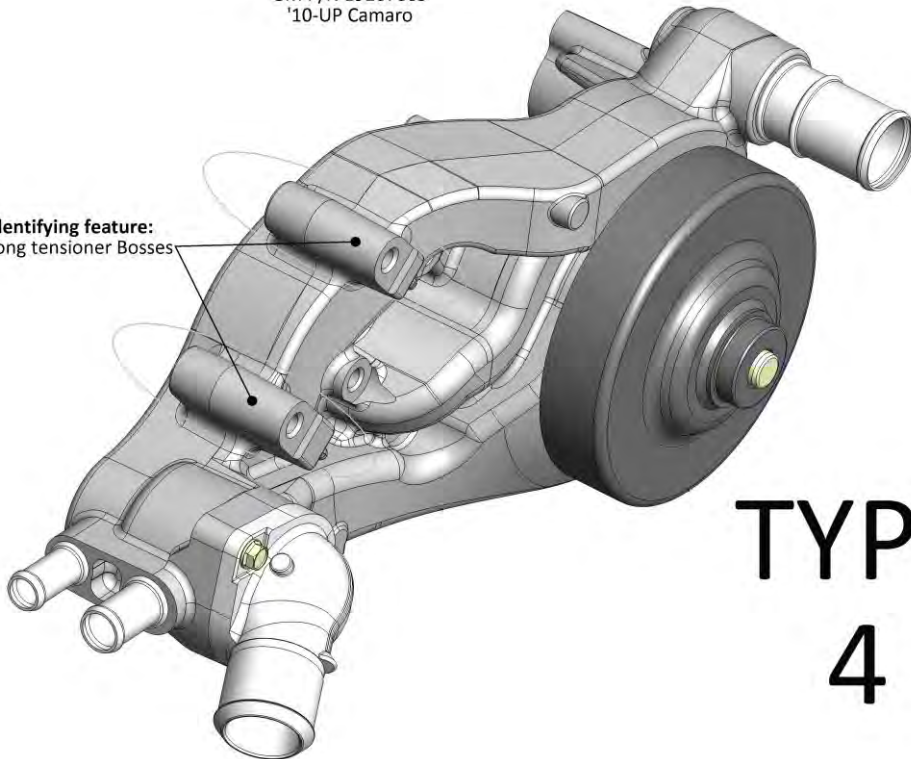


TYPE
3

LS3/L99 Camaro water pump
Works with **LONG** belt spacing

GM P/N 19207665
'10-UP Camaro

Identifying feature:
Long tensioner Bosses

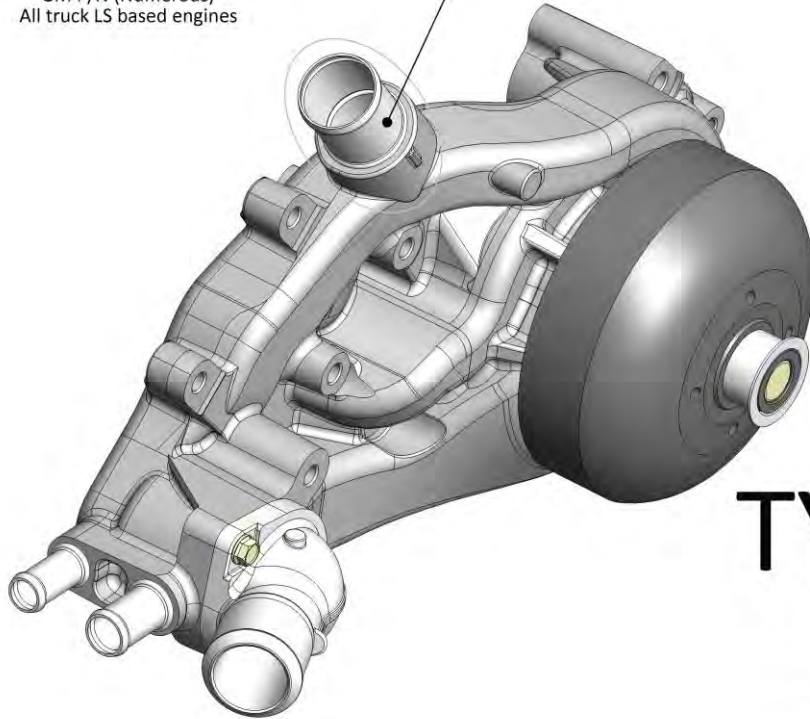


TYPE
4

TRUCK water pump
Works with **LONG** belt spacing

GM P/N (Numerous)
All truck LS based engines

Identifying feature:
Upward pointing
inlet



TYPE
5

Idler Pulley Options:



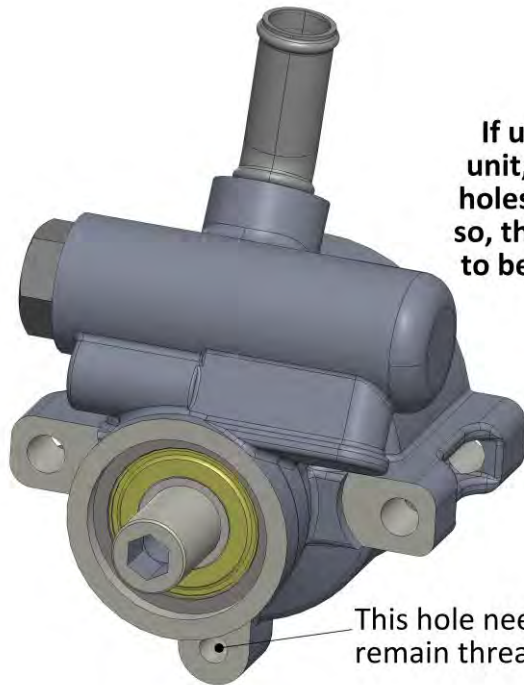
Idler pulley, 76 mm smooth
Holley part # 97-150
Application: '97 Corvette
DAYCO # 89059
GM # 12564401

One smooth idler pulley will be required.



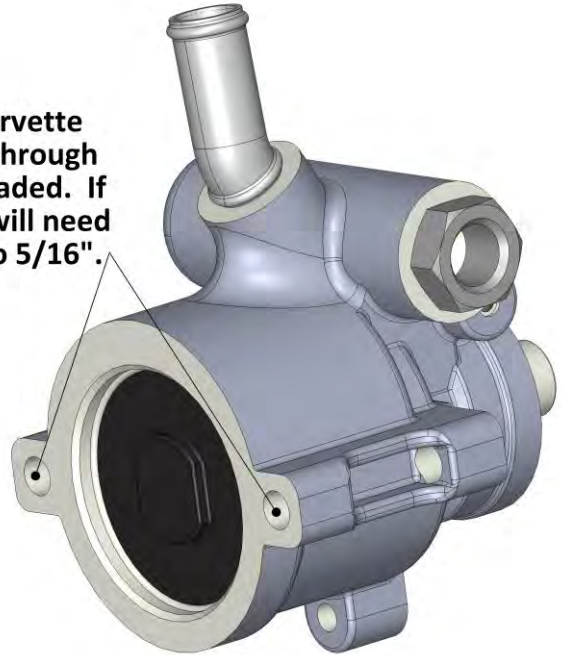
Late model idler pulleys such as GM # 12568996 found on '05-up Corvette have a double bearing and will NOT align with this bracket system.

Power Steering Pump Options:



This hole needs to remain threaded.

If using a non-Corvette unit, the pump's through holes may be threaded. If so, these threads will need to be drilled out to 5/16".



Aluminum power steering pump
Holley part # 198-100
Application: '09 Corvette, all except supercharged
GM # 26120639

Steel power steering pump
Application: '97 Corvette
GM # 25960709

The Holley driver's side bracket uses the standard (1997 and up) Corvette power steering pump (Saginaw TC type). Other pumps of the same housing and type may work, but the bracket is optimized for the Corvette pump.

HELPFUL HINTS: Non-Corvette pumps will not have the correctly positioned reservoir hose tube. Also note that remanufactured pumps may have the bent tube turned improperly. Early Corvette pumps are steel where later years were aluminum.

Power Steering Pump Pulleys:

There are several pulleys that will fit the pump, but some do not have the correct belt alignment for this application. See applicable service manual for pulley installation procedures.



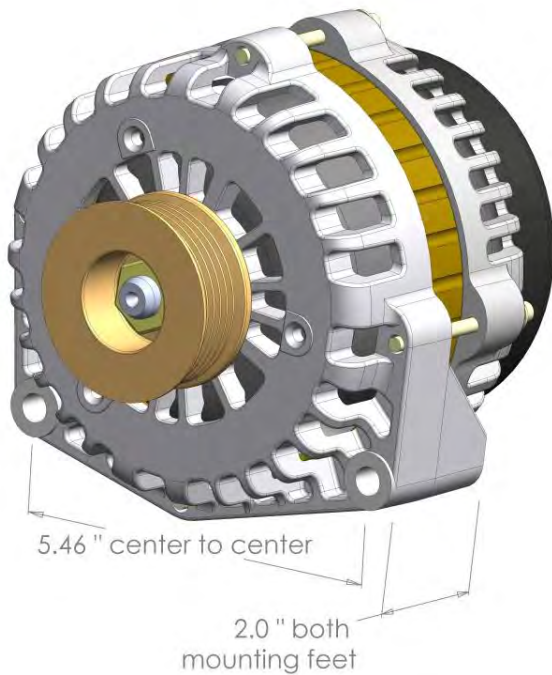
Power steering pump pulley
Holley part # 97-152
Application: '97 Corvette
GM # 12568997
OD to groves: 6.35"
OD overall: 6.70"



Power steering pump pulley
Application: '10 Camaro
GM # 12578552
OD to groves: 5.85"
OD overall: 6.21"

Helpful hint: Open faced pulley part 97-152 can be installed onto pump before bracket assembly as bolts can be accessed through pulley windows. This pulley may interfere with the suspension A-arm in certain swap applications. Smaller pulleys may be used but be certain the bore ID is 0.66".

Alternator Options:



Case size: SMALL (130 mm)
Standard amperage: 105 AMPs
Holley part # 197-300
Application: '04 Chevy Silverado 5.3L (standard 105 amp choice)
GM/Delco # 10480326
Series/Lester # AD230/8247
Holley harness pigtail # 197-400

Case size: LARGE (144 mm)
High amperage: 130-145 AMPs
Holley part # 197-301
Application: '04 Chevy Silverado 5.3L (optional 130/145 amp choice)
GM/Delco # 15754097
Series/Lester # AD244/8292
Holley harness pigtail # 197-400

The Holley driver's side bracket uses standard alternators with 5.46" bolt spacing. This alternator type is common on most '96-'05 GM trucks and '98-'06 Camaro/Firebird/GTOs. There are two alternator amperages available in this type. Note: the Holley bracket DOES NOT work with '97-UP Corvette or '10-UP Camaro alternators which have 6" (154 mm) center bolt spacing.

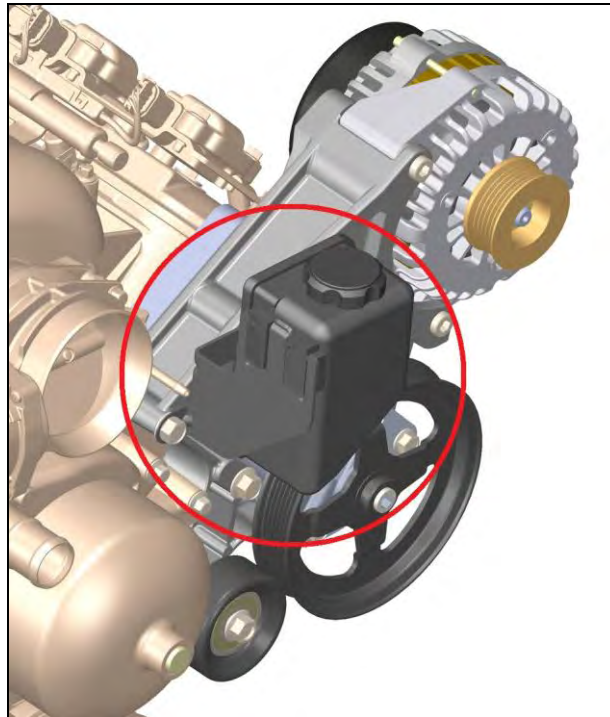
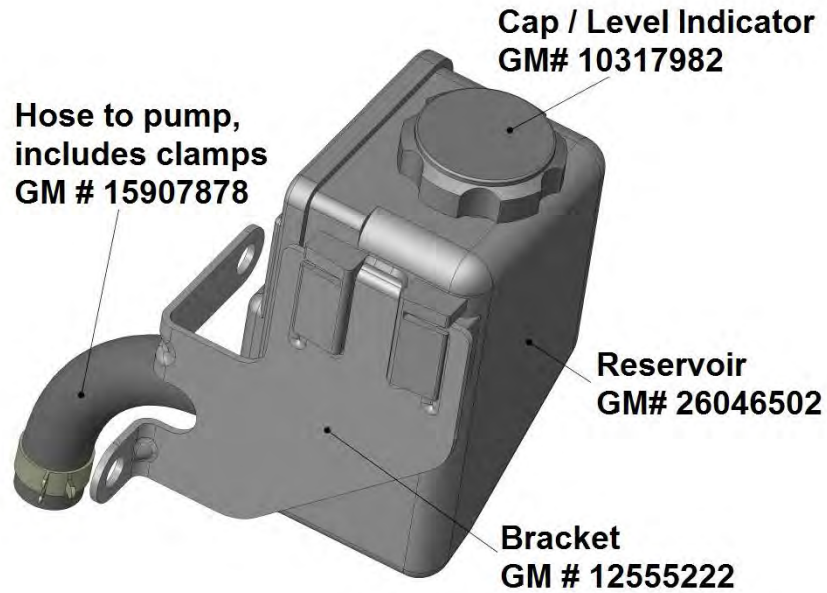
When wiring the alternator, connect the "L" terminal labeled on the alternator to switched voltage that is "on" when the key is in the run position. There must be either a charge indicator light (standard dash bulb) or a 150 ohm, 3.5 watt resistor in-line on this wire. Holley's part # 197-400 already has the resistor in line.

Late model alternators with only two pins visible in the alternator's harness plug instead of four, will NOT work for this application. They require the vehicles ECU to function. An alternator repair shop may be able to change out the internal regulator to the 4-pin type if needed.

HELPFUL HINT: The rear alternator housing can be rotated relative to the front housings. If desired, this will let the charge wire and harness plug to be rotated out of sight or away from interferences. Contact your alternator manufacture or an alternator shop for "re-clocking" procedures.

Power Steering Pump Reservoir Options:

The Holley driver's side bracket works with reservoirs found on '97-up Corvettes. Other remote reservoirs can be custom fitted with this bracket as well. All the below reservoir parts are included in **Holley kit # 198-200**.



After reviewing the components needed for your specific application, parts can be sourced and the Holley kits can be installed. See the included assembly instructions for installation procedures.

Holley® Performance Products, Inc.
1801 Russellville Road
Bowling Green, KY 42101
Technical Support: 1-866-GOHOLLEY
Phone: 1-270-781-9741
Fax: 1-270-781-9772
www.holley.com

© 2011 Holley Performance Products, Inc. All rights reserved.

199R10607
Date: 6-4-12