



**Exploded View and Nomenclature
Manual for Models
2010, 2300, 4010, 4011, 4150,
4160, 4165, 4175, and 4500**

WARNING! These instructions must be read and fully understood before beginning installation. Failure to follow these instructions may result in poor performance, vehicle damage, personal injury, or death. If these instructions are not fully understood, installation should not be attempted.

TABLE OF CONTENTS:

Read This First 3

Locating the List Number 3

Exploded View - Model 2010 4

Nomenclature - Model 2010 5

Exploded View - Model 2300 6

Nomenclature - Model 2300 7

Exploded View - Model 2300 (3 x 2 BBL) 8

Nomenclature - Model 2300 (3 x 2 BBL) 9

Exploded View - Model 4010 10

Nomenclature - Model 4010 11

Exploded View - Model 4011 12

Nomenclature - Model 4011 13

Exploded View - Model 4150/4160 14

Nomenclature- Model 4150/4160 15

Exploded View - Model 4165/4175 17

Nomenclature - Model 4165/4175 17

Exploded View - Model 4500 19

Nomenclature - Model 4500 20

READ THIS FIRST:

This is a typical view type instruction sheet for different carburetor models, which will show more parts than are required for any one specific model. This kit may also contain universal part assortments, resulting in throw away or an excess in the number of parts that are actually required for servicing any one carburetor. In the case of duplicate gaskets or parts, compare with old pieces. To know which exploded view applies to your carburetor, locate the list number. To locate the list number, use the examples in the **LOCATING THE LIST NUMBER** section below. Find the list number in the **SPECIFICATIONS** manual included with your kit. The list numbers are grouped by model number. Use the exploded view that applies to your model of carburetor in this manual as a guide, and follow the numerical sequence in general to disassemble the unit far enough to permit cleaning and inspection. There is a nomenclature list for each model of carburetor. Use the nomenclature list to help identify the parts as you disassemble and reassemble the carburetor. Refer to the **SPECIFICATIONS** manual for the correct calibration numbers during reassembly. Use the **REBUILD AND ADJUSTMENT** manual during the reassembly for a step by step guide for performing each of the adjustments.

It is our intent to provide the best possible products for our customers: products that perform properly and satisfy your expectations. Should you need information of parts assistance, please contact our technical service department at 1-270-781-9741, Monday through Friday, 7 a.m. to 5 p.m. Central time. Please have the part number of the product you purchased when you call.

LOCATING THE LIST NUMBER:

The List number for a Model 2010, 2300, 4010, 4011, 4150, 4160, 4165, or 4175 carburetor can be found on the **right side of choke air horn**. The List number for the 4500 can be found on the top of the main body casting. Below the list number is a date code that will contain no more than four (4) digits. See Figures below.

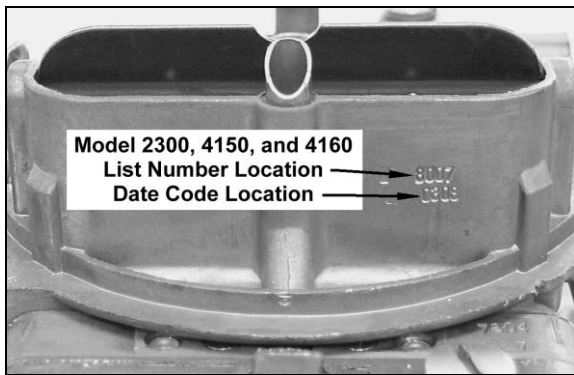


Figure 1

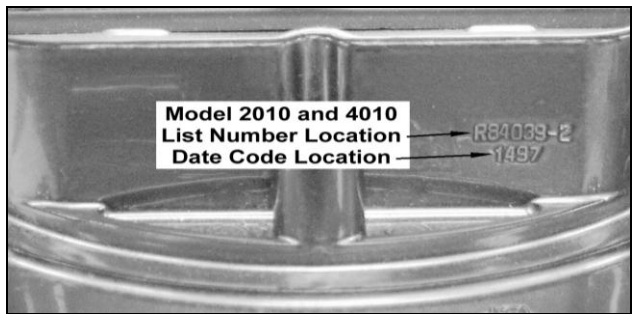


Figure 2



Figure 3

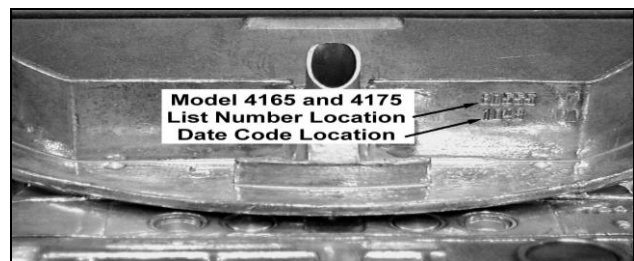


Figure 4

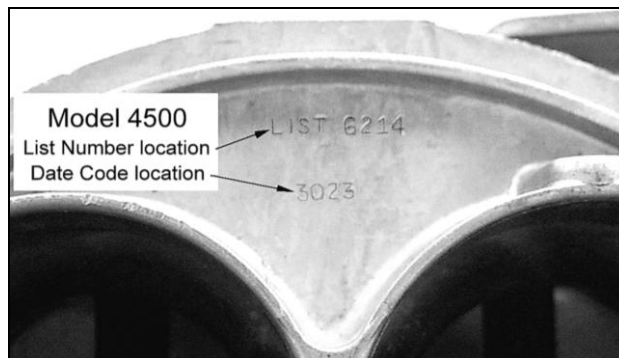
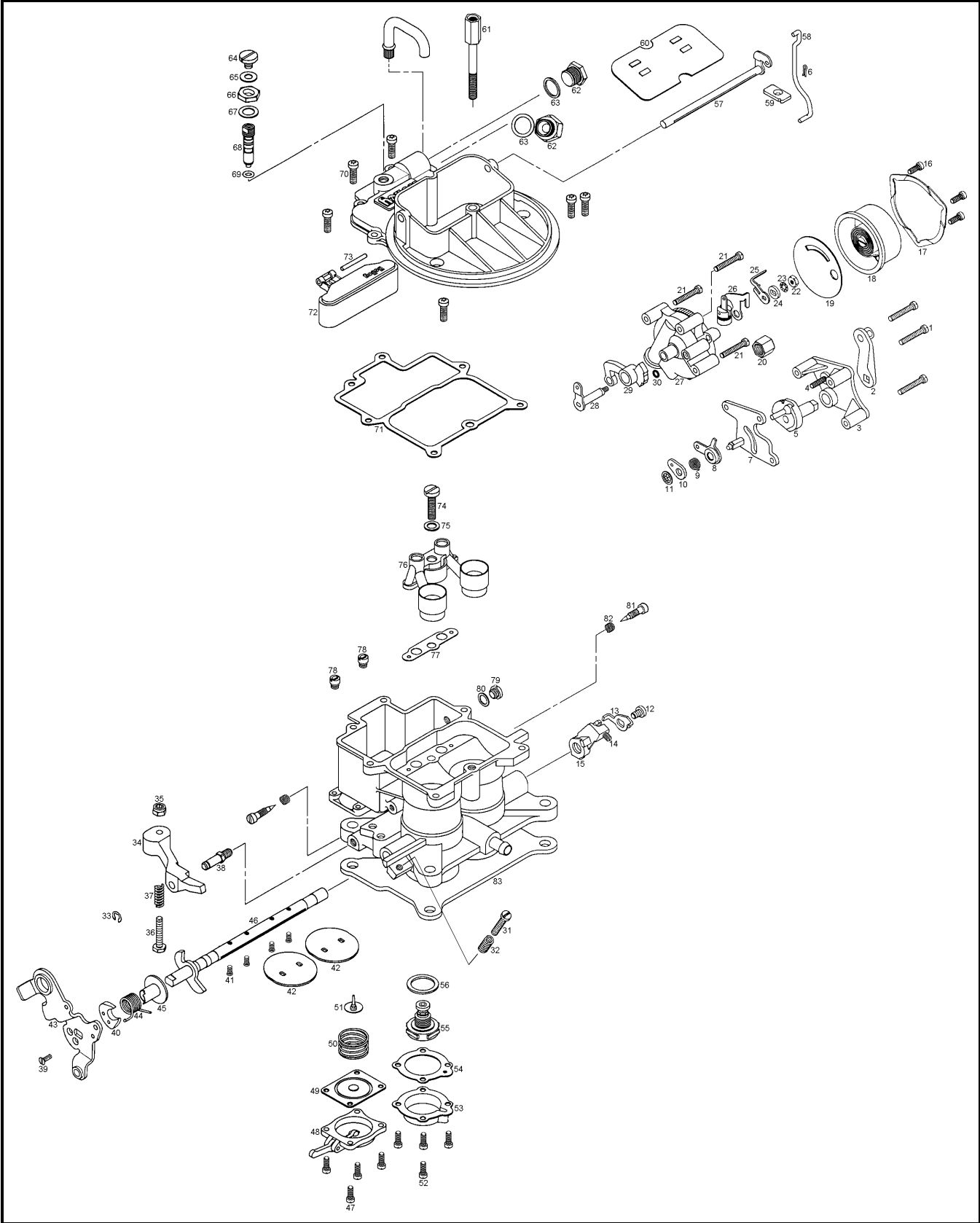


Figure 5

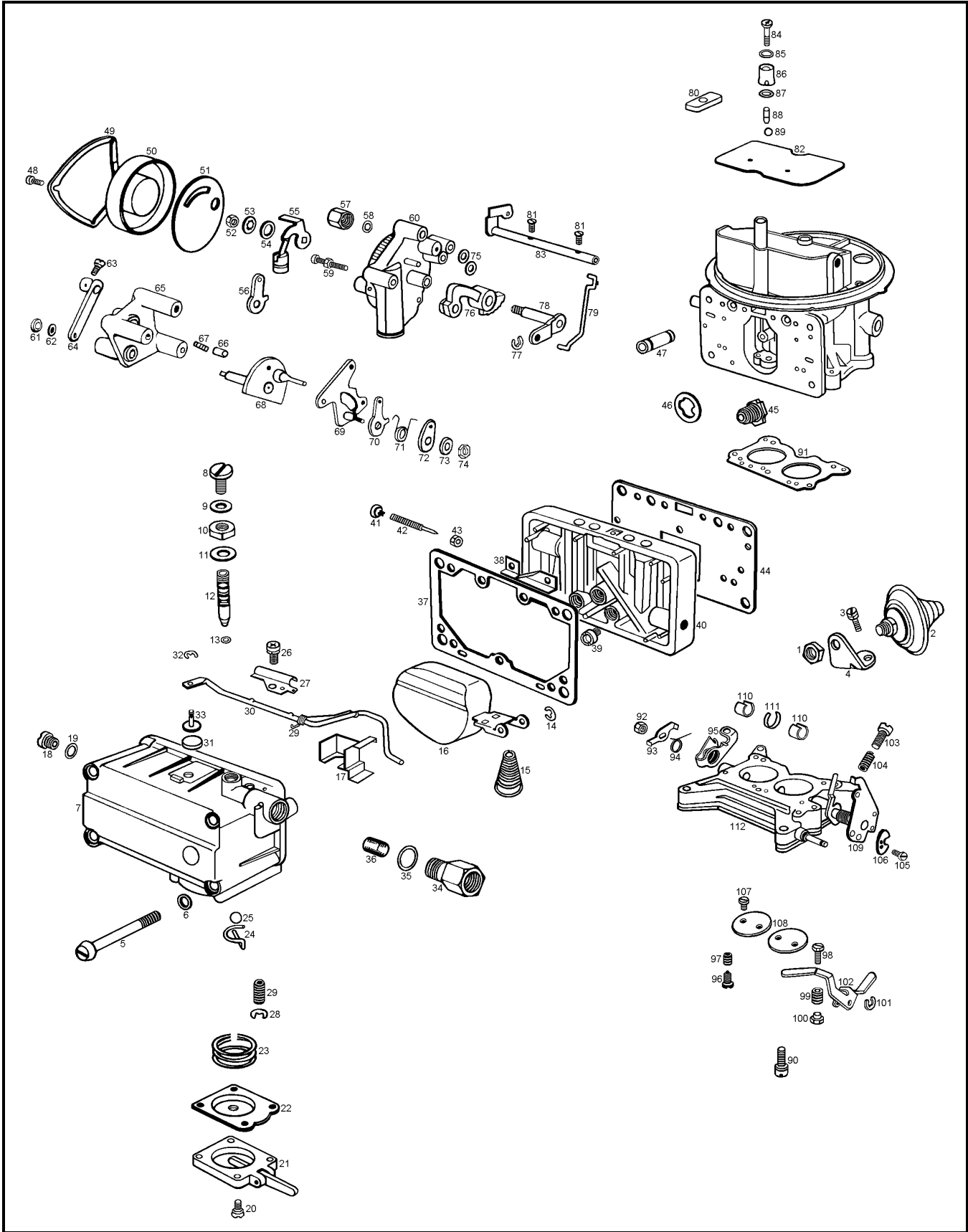
EXPLODED VIEW - MODEL 2010



NOMENCLATURE - MODEL 2010

Ref. No.	Description	Ref. No.	Description
1	Fast Idle Cam Plate Screw	2	Choke Lever and Swivel Assembly
3	Fast Idle Cam Plate	4	Fast Idle Cam Spring
5	Fast Idle Cam	6	Choke Rod Retainer
7	Choke Lever Back-up Plate	8	Choke Rod Lever Molded
9	Choke Lever Spring	10	Choke Spring Retainer Washer
11	Push Nut Fastener	12	Fast Idle Cam Lever Screw
13	Cam Pickup Lever	14	Fast Idle Adjustment Screw
15	Fast Idle Cam Lever	16	Thermostat Cap Clamp Screw
17	Thermostat Cap Clamp	18	Thermostat & Cap Assembly Indexed
19	Thermostat Cap Gasket	20	Compression Nut
21	Choke Housing Screw	22	Hex Nut
23	Lockwasher	24	Choke Thermostat Lever Spacer
25	Choke Thermostat lever	26	Thermostat Lever & Piston Assembly
27	Choke Housing & Plugs Assembly	28	Choke Housing Shaft & Lever Assembly
29	Fast Idle Cam Assembly	30	Choke Housing Gasket
31	Throttle Stop Screw	32	Throttle Stop Adjustment Screw Spring
33	E-Ring Retainer	34	Pump Operative Lever Assembly
35	Fiber Locking Nut	36	Pump Lever Adjustment Screw
37	Pump Lever Adjustment Screw Spring	38	Pump Lever Stud
39	Pump Cam Screw	40	Pump Cam
41	Throttle Plate Screw	42	Throttle Plate
43	Throttle Lever	44	Throttle Return Spring
45	Throttle lever Bushing	46	Throttle Shaft & Stop Lever Assembly
47	Pump Diaphragm Cover Screw	48	Accelerator Pump Diaphragm Cover Assembly
49	Accelerator Pump Diaphragm Assembly	50	Pump Diaphragm Return Spring
51	Pump Check Valve	52	Power Valve Cover Screw
53	Power Valve Cover	54	Power Valve Cover Gasket
55	Power Valve	56	Power Valve Gasket
57	Choke Shaft & Lever Assembly	58	Choke Rod Retainer
59	Choke Rod Seal	60	Choke Plate
61	Air Cleaner Stud	62	Fuel Inlet Fitting
63	Fuel Inlet Fitting Gasket	64	Fuel Valve Seat Screw
65	Seat Lock Screw Gasket	66	Fuel Valve Seat Lock Nut
67	Needle & Seat Adjustment Nut Gasket	68	Fuel Inlet Needle & Seat Assembly
69	O-Ring Seal	70	Airhorn Screw
71	Airhorn Gasket	72	Float & Tab Assembly
73	Float Shaft	74	Nozzle Bar Screw
75	Nozzle Bar Screw Gasket	76	Nozzle Bar Assembly
77	Nozzle Bar Gasket	78	Main Jet
79	Fuel Level Plug	80	Fuel Level Plug Gasket
81	Idle Adjustment Needle	82	Idle Adjustment Needle Spring
83	Flange Gasket		

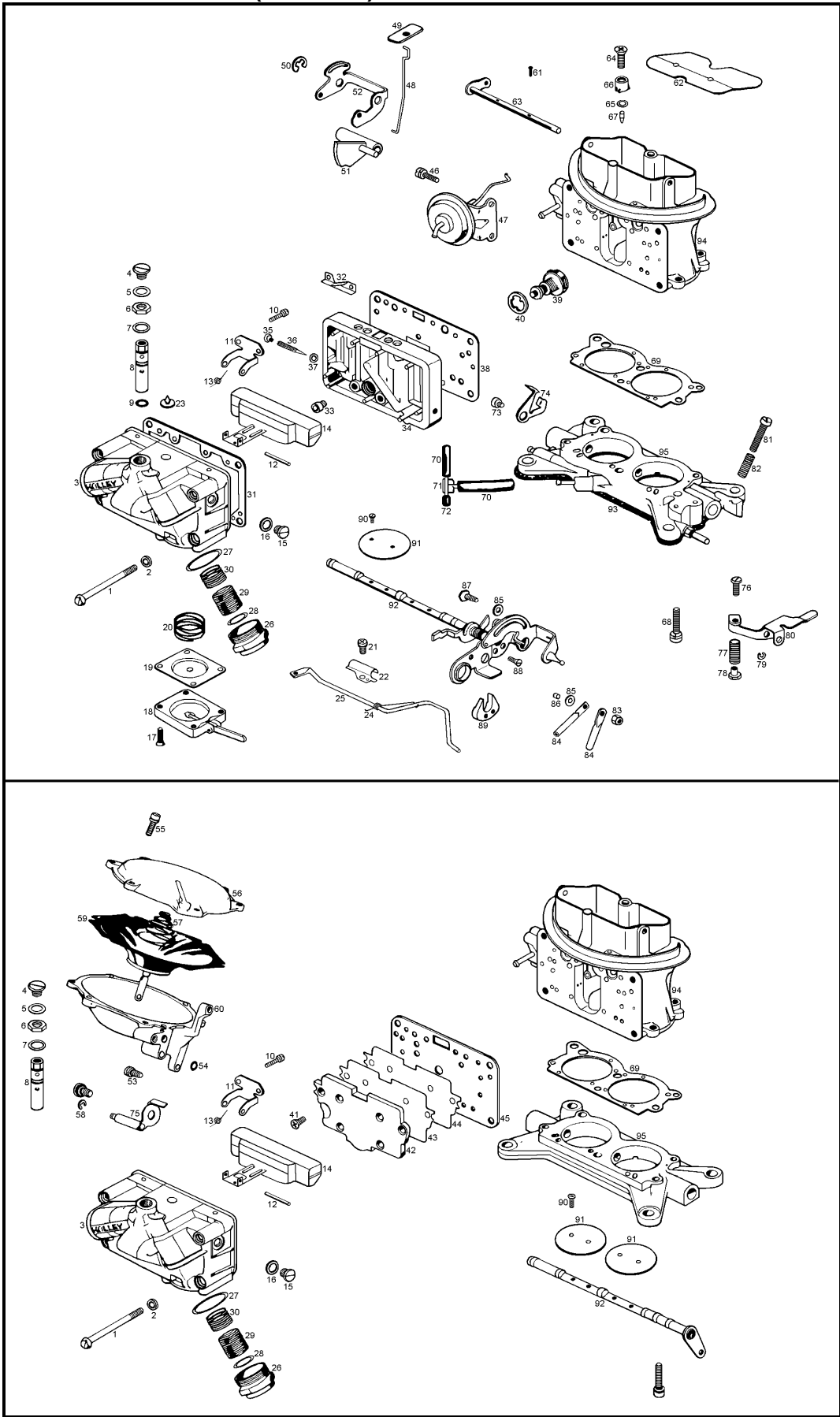
EXPLODED VIEW - MODEL 2300



NOMENCLATURE - MODEL 2300

<i>Ref. No.</i>	<i>Description</i>	<i>Ref. No.</i>	<i>Description</i>
1	Dashpot Locknut	2	Dashpot Assembly
3	Dashpot Bracket Screw	4	Dashpot Bracket
5	Fuel Bowl Screw	6	Bowl Screw Gasket
7	Fuel Bowl Assembly	8	Fuel Valve Seat Lockscrew
9	Lockscrew Gasket	10	Fuel Valve Seat Adjustment Nut
11	Adjustment Nut Gasket	12	Fuel Valve Assembly
13	Fuel Valve O-Ring Seal	14	Float Retainer
15	Float Spring	16	Float Assembly
17	Fuel Inlet Baffle	18	Fuel Inlet Check Plug
19	Check Plug Gasket	20	Accelerator Pump Cover Screw
21	Accelerator Pump Cover	22	Pump Diaphragm
23	Diaphragm Return Spring	24	Check Ball Retainer
25	Check Ball	26	Vent Rod Clamp Screw
27	Vent Rod Clamp	28	Vent Rod Spring Retainer
29	Vent Rod Spring	30	Vent Rod
31	Vent Cap	32	Vent Valve Retainer
33	Vent Valve	34	Fuel Inlet Fitting
35	Inlet Fitting Gasket	36	Inlet Filter Screen
37	Fuel Bowl Gasket	38	Metering Body Vent Baffle
39	Main Metering Jet	40	metering Body
41	Idle Limiter Cap	42	Idle Needle
43	Idle Needle Seal	44	Metering Body Gasket
45	Power Valve	46	Power Valve Gasket
47	Pump Transfer Tube	48	Thermostat Housing Clamp Screw
49	Thermostat Housing Clamp	50	Thermostat Housing Assembly
51	Thermostat Housing Gasket	52	Thermostat Shaft Nut
53	Shaft Nut Lockwasher	54	Spacer
55	Choke Thermostat Lever and Assembly	56	Choke Thermostat Lever
57	Heat Tube Nut	58	Heat Tube Screen
59	Choke Housing Screw	60	Choke Housing Assembly
61	Control Lever Nut	62	Lockwasher
63	Swivel Screw	64	Choke Lever & Swivel Assembly
65	Fast Idle Cam Plate	66	Fast Idle Cam Plunger
67	Plunger Spring	68	Fast Idle Cam & Shaft Assembly
69	Back-up Plate & Stud Assembly	70	Choke Rod Lever & Bushing Assembly
71	Choke Spring	72	Spring Washer
73	Back-up Plate Stud Nut Lockwasher	74	Stud Nut
75	Choke Housing Gasket	76	Fast Idle Cam
77	Choke Link Retainer	78	Choke Housing Shaft & Lever
79	Choke Link	80	Choke Link Seal
81	Choke Plate Screw	82	Choke Plate
83	Choke Shaft and Lever	84	Pump Discharge Nozzle Screw
85	Discharge Nozzle Gasket	86	Pump Discharge Nozzle
87	Discharge Nozzle Gasket	88	Pump Discharge Weight
89	Pump Discharge Ball	90	Throttle Body to Main Body Screw
91	Throttle Body Gasket	92	Fast Idle Cam Lever Screw
93	Fast Idle Pick-up Lever	94	Fast Idle Cam Lever Spring
95	Fast Idle Cam Lever	96	Fast Idle Cam Lever Screw
97	Lever Screw Spring	98	Pump Operating Lever Adjustment Screw
99	Adjustment Screw Spring	100	Adjustment Screw Nut
101	Pump Operating Lever Retainer	102	Pump Operating Lever
103	Throttle Stop Screw	104	Stop Screw Spring
105	Pump Cam Lock Screw	106	Pump Cam
107	Throttle Plate Screw	108	Throttle Plate
109	Throttle Shaft & Lever	110	Throttle Shaft Bearing
111	Throttle Shaft Bearing - Center	112	Flange Gasket

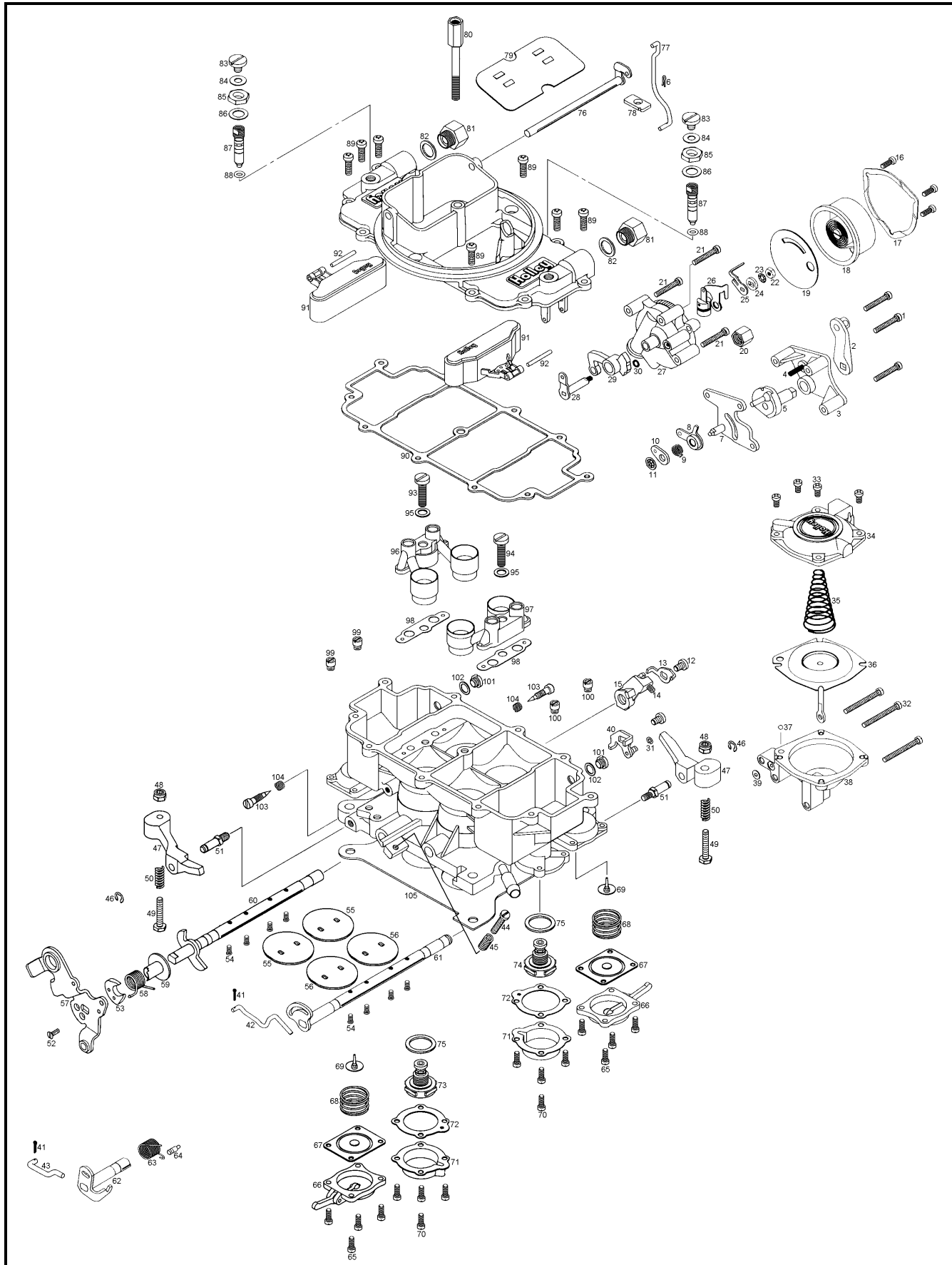
EXPLODED VIEW - MODEL 2300 (3 x 2 BBL)



NOMENCLATURE - MODEL 2300 (3 x 2 BBL.)

Ref. No.	Description	Ref. No.	Description
1	Fuel Bowl Screw	2	Bowl Screw Gasket
3	Fuel Bowl Assembly	4	Fuel Valve Seat Lock Screw
5	Lock Screw Gasket	6	Fuel Valve Seat Adjustment Nut
7	Adjustment Nut Gasket	8	Fuel Valve Assembly
9	Fuel Valve O-Ring Seal	10	Float Shaft Retainer Screw
11	Float Shaft Retainer	12	Float Lever Shaft
13	Float Spring	14	Float Assembly
15	Fuel Level Check Plug	16	Check Plug Gasket
17	Accelerator Pump Cover Screw	18	Accelerator Pump Cover
19	Accelerator Pump Diaphragm	20	Diaphragm Return Spring
21	Vent Rod Clamp Screw	22	Vent Rod Clamp
23	Vent Valve	24	Vent Rod Spring
25	Vent Rod	26	Fuel Inlet Fitting
27	Inlet Fitting Gasket	28	Fuel Filter Gasket
29	Fuel Filter	30	Fuel Filter Spring
31	Fuel Bowl Gasket	32	Metering Body Vent Baffle
33	Main Metering Jet	34	Metering Body
35	Idle Limiter Cap	36	Idle Needle
37	Idle Needle Seal	38	Metering Body Gasket
39	Power Valve	40	Power Valve Gasket
41	Metering Body Screw	42	Metering Body - Secondary
43	Metering Body Plate Gasket	44	Metering Body Plate
45	Metering Body Gasket	46	Choke Diaphragm Bracket Screw
47	Choke Diaphragm Assembly	48	Choke Rod
49	Choke Rod Seal	50	Choke Control Lever Retainer
51	Fast Idle Cam	52	Choke Control Lever
53	Diaphragm Mounting Screw	54	Diaphragm Housing Gasket
55	Diaphragm Assembly Cover Screw	56	Diaphragm Housing Cover
57	Diaphragm Spring	58	Diaphragm Link Retainer
59	Diaphragm Assembly	60	Diaphragm Housing
61	Choke Plate Screw	62	Choke Plate
63	Choke Shaft & Lever Assembly	64	Pump Discharge Nozzle Screw
65	Pump Discharge Screw Gasket	66	Pump Discharge Nozzle
67	Pump Discharge Needle Valve	68	Throttle Body to Main Body Screw
69	Throttle Body Gasket	70	Choke Diaphragm Hose
71	Tee Fitting	72	Plug
73	Fast Idle Cam Lever Screw	74	Fast Idle Cam Lever
75	Diaphragm Lever & Pin Assembly	76	Pump Operating Lever Adjustment Screw
77	Adjustment Screw Spring	78	Adjustment Screw Nut
79	Pump Operating Lever Retainer	80	Pump Operating Lever
81	Throttle Stop Screw	82	Stop Screw Spring
83	Throttle Connector Pin Nut	84	Throttle Connector Bar
85	Throttle Connector Pin Spacer	86	Throttle Connector Pin Bushing
87	Throttle Connector Pin	88	Pump Cam Lockscrew
89	Pump Cam	90	Throttle Plate Screw
91	Throttle Plate	92	Throttle Shaft & Lever Assembly
93	Flange Gasket	94	Main Body
95	Throttle Body		

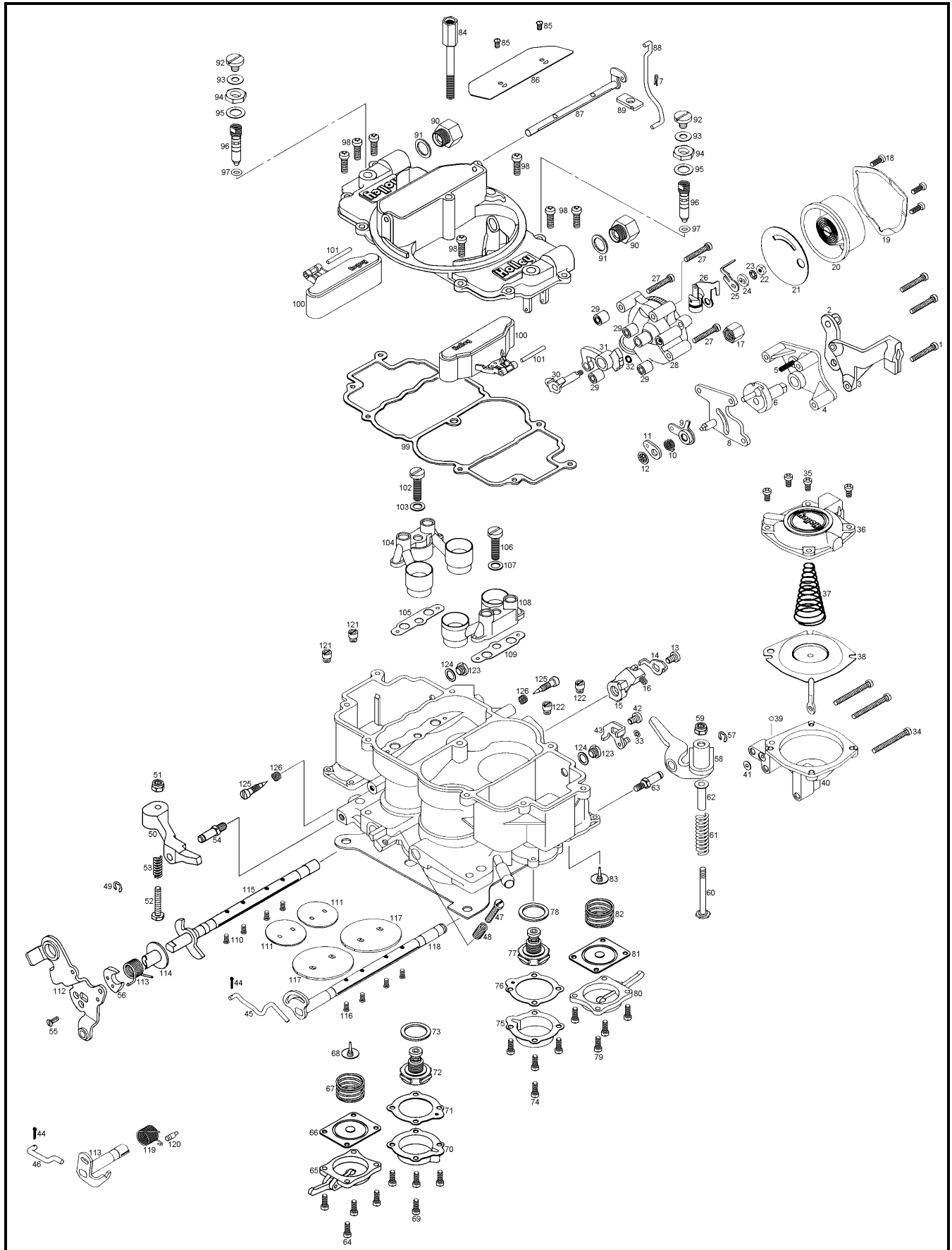
EXPLODED VIEW - MODEL 4010



NOMENCLATURE - MODEL 4010

Ref. No.	Description	Ref. No.	Description
1	Fast Idle Cam Plate Screw	2	Choke Lever and Swivel Assembly
3	Fast Idle Cam Plate	4	Fast Idle Cam Spring
5	Fast Idle Cam	6	Choke Rod Retainer
7	Choke Lever Back-up Plate	8	Choke Rod Lever Molded
9	Choke Lever Spring	10	Choke Spring Retainer Washer
11	Push Nut Fastener	12	Fast Idle Cam Lever Screw
13	Cam Pickup Lever	14	Fast Idle Adjustment Screw
15	Fast Idle Cam Lever	16	Thermostat Cap Clamp Screw
17	Thermostat Cap Clamp	18	Thermostat & Cap Assembly Indexed
19	Thermostat Cap Gasket	20	Compression Nut
21	Choke Housing Screw	22	Hex Nut
23	Lockwasher	24	Choke Thermostat Lever Spacer
25	Choke Thermostat Lever	26	Thermostat Lever & Piston Assembly
27	Choke Housing & Plugs Assembly	28	Choke Housing Shaft & Lever Assembly
29	Fast Idle Cam Assembly	30	Choke Housing Gasket
31	E-Ring Retainer	32	Secondary Diaphragm Housing Screw
33	Secondary Diaphragm Cover Screw	34	Secondary Diaphragm Cover
35	Secondary Diaphragm Spring	36	Secondary Diaphragm & Link Assembly
37	Check Ball	38	Secondary Diaphragm Housing
39	Secondary Diaphragm Housing Gasket	40	Secondary Diaphragm Lever Assembly
41	Cotter Pin-Throttle Connecting Rod	42	Secondary Connecting Rod
43	Secondary Operating Link	44	Throttle Stop Screw
45	Throttle Stop Adjustment Screw Spring	46	E-Ring Retainer
47	Pump Operating lever Assembly	48	Fiber Locking Nut
49	Pump Lever Adjustment Screw	50	Pump Lever Adjustment Screw Spring
51	Pump Lever Stud	52	Pump Cam Screw
53	Pump Cam	54	Throttle Plate Screw
55	Primary Throttle Plate	56	Secondary Throttle Plate
57	Primary Throttle Lever	58	Primary Throttle Return Spring
59	Throttle Lever Bushing	60	Throttle Shaft & Stop Lever Assembly
61	Secondary Throttle Shaft & Stop Lever Assembly (Vacuum Secondary)	62	Secondary Throttle Shaft & Stop Lever Assembly (Mechanical Secondary)
63	Throttle Return Spring	64	Throttle Return Spring Pin
65	Pump Diaphragm Cover Screw	66	Accelerator Pump Diaphragm Cover Assembly
67	Accelerator Pump Diaphragm Assembly	68	Pump Diaphragm Return Spring
69	Pump Check Valve	70	Power Valve Cover Screw
71	Power Valve Cover	72	Power Valve Cover Gasket
73	Power Valve - Primary	74	Power Valve - Secondary
75	Power Valve Gasket	76	Choke Shaft and Lever Assembly
77	Choke Rod	78	Choke Rod Seal
79	Choke Plate	80	Air Cleaner Stud
81	Fuel Inlet Fitting	82	Fuel Inlet Fitting Gasket
83	Fuel Valve Seat Screw	84	Seat Lock Screw Gasket
85	Fuel Valve Seat Lock Nut	86	Needle & Seat Adjustment Nut Gasket
87	Fuel Inlet Needle & Seat Assembly	88	O-Ring Seal
89	Air Horn Screw	90	Airhorn Gasket
91	Float & Tab Assembly	92	Float Shaft
93	Nozzle Bar Screw - Primary	94	Nozzle Bar Screw - Secondary
95	Nozzle Bar Screw Gasket	96	Primary Nozzle Bar Assembly
97	Secondary Nozzle Bar Assembly	98	Nozzle Bar Gasket
99	Primary Main Jet	100	Secondary Main Jet
101	Fuel Level Check Plug	102	Fuel Level Plug Gasket
103	Idle Adjustment Needle	104	Idle Adjustment Needle Spring
105	Flange Gasket		

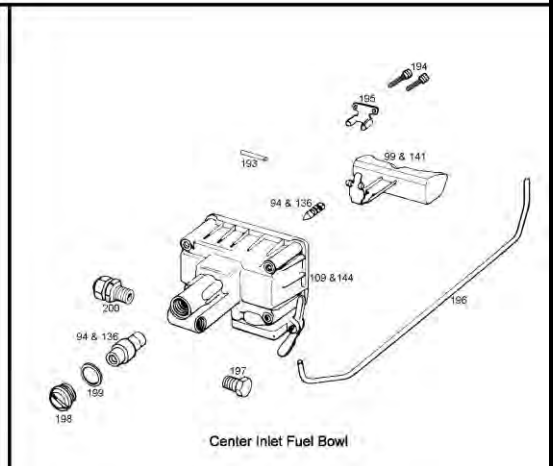
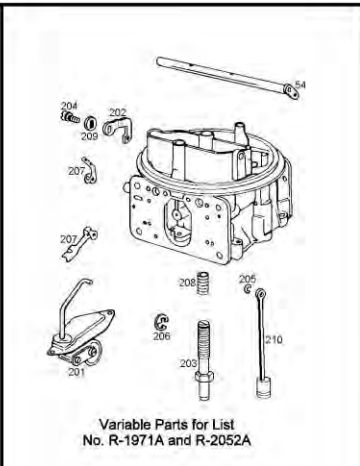
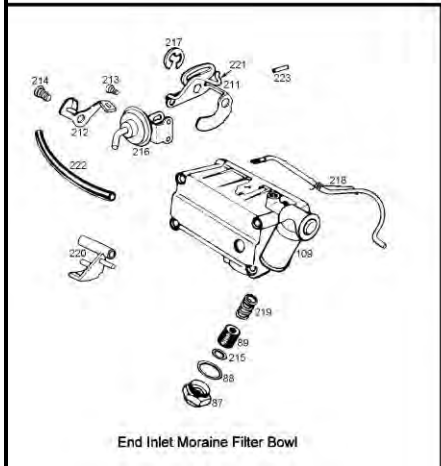
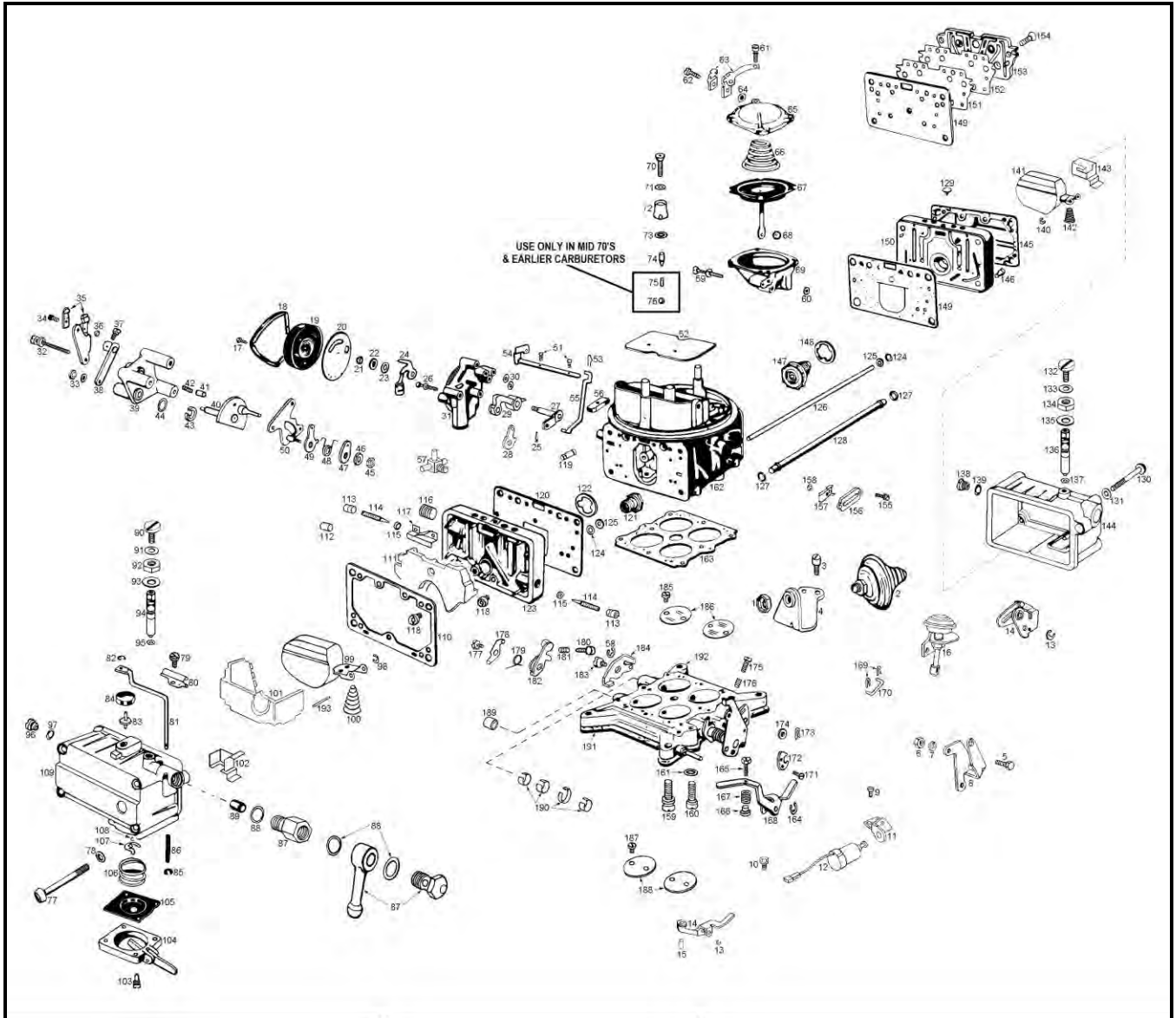
EXPLODED VIEW - MODEL 4011



NOMENCLATURE - MODEL 4011

Ref. No.	Description	Ref. No.	Description
1	Fast Idle Cam Plate Screw	2	Choke Lever and Swivel Assembly
3	Choke Control Bracket	4	Fast Idle Cam Plate
5	Fast Idle Cam Spring	6	Fast Idle Cam
7	Choke Rod Retainer	8	Choke Lever Back-up Plate
9	Choke Rod Lever Molded	10	Choke Lever Spring
11	Choke Spring Retainer Washer	12	Push Nut Fastener
13	Fast Cam Lever Screw & Lockwasher	14	Cam Pick-up Lever
15	Fast Idle Cam Lever	16	Fast Idle Cam Adjustment Screw
17	Compression Nut	18	Thermostat Cap Clamp Screw
19	Thermostat Cap Clamp	20	Thermostat & cap Assembly Indexed
21	Thermostat Cap Gasket	22	Hex Nut
23	Lockwasher	24	Choke Thermostat Lever Spacer
25	Choke Thermostat Lever	26	Thermostat Lever and Piston Assembly
27	Choke Housing Screw	28	Choke Housing
29	Choke Housing Spacer	30	Choke Housing Shaft & Lever Assembly
31	Fast Idle Cam Assembly	32	Choke Housing Gasket
33	E-Ring Retainer	34	Secondary Diaphragm Housing Screw
35	Secondary Diaphragm Cover Screw	36	Secondary Diaphragm Cover
37	Secondary Diaphragm Spring	38	Secondary Diaphragm & Link Assembly
39	Check Ball	40	Secondary Diaphragm Housing
41	Secondary Diaphragm Housing Gasket	42	Secondary Diaphragm Lever Screw & Lockwasher
43	Secondary Diaphragm Lever Assembly	44	Cotter Pin - Throttle Connecting Rod
45	Secondary Connecting Rod	46	Secondary Operating Link
47	Throttle Stop Screw	48	Throttle Stop Adjusting Screw Spring
49	E-Ring Retainer	50	Pump Operating Lever Assembly
51	Fiber Locking Nut	52	Pump Lever Adjustment Screw
53	Pump Lever Adjustment Screw Spring	54	Pump Lever Stud
55	Pump Cam Screw	56	Pump Cam
57	E-Ring Retainer	58	Secondary Pump Operating Lever Assembly
59	Fiber Locking Nut	60	Secondary Pump Lever Adjustment Screw
61	Pump Lever Adjustment Screw Spring	62	Pump Lever Adjustment Screw Sleeve
63	Pump Lever Stud	64	Pump Diaphragm Cover Screw
65	Accelerator Pump Diaphragm Cover Assembly	66	Accelerator Pump Diaphragm Assembly
67	Pump Diaphragm Return Spring	68	Pump Check Valve
69	Power Valve Cover Screw	70	Power Valve Cover
71	Power Valve Cover Gasket	72	Power Valve - Primary
73	Power Valve Gasket	74	Power Valve Cover Screw
75	Power Valve Cover	76	Power Valve Cover Gasket
77	Power Valve - Secondary	78	Power Valve Gasket
79	Pump Diaphragm Cover Screw	80	Accelerator Pump Diaphragm Cover Assembly
81	Accelerator Pump Diaphragm Assembly	82	Pump Diaphragm Return Spring
83	Pump Check Valve	84	Air Cleaner Stud
85	Choke Plate Screw	86	Choke Plate
87	Choke Shaft & Lever Assembly	88	Choke Rod
89	Choke Rod Seal	90	Fuel Inlet Fitting
91	Fuel Inlet Fitting Gasket	92	Fuel Valve Seat Screw
93	Seat Lock Screw Gasket	94	Fuel Valve Seat Lock Nut
95	Needle and Seat Adjusting Nut Gasket	96	Fuel Inlet Needle & Seat Assembly
97	O-Ring	98	Airhorn Screw
99	Airhorn Gasket	100	Float and Tab Assembly
101	Float Shaft	102	Nozzle Bar Screw - Primary
103	Nozzle Bar Screw Gasket	104	Primary Nozzle Bar Assembly
105	Nozzle Bar Gasket	106	Nozzle Bar Screw - Secondary
107	Nozzle Bar Screw Gasket	108	Secondary Nozzle Bar Assembly
109	Nozzle Bar Gasket	110	Throttle Plate Screw
111	Primary Throttle Plate	112	Primary Throttle Lever
113	Primary Throttle Return Spring	114	Throttle Lever Bushing
115	Throttle Shaft and Stop Lever Assembly	116	Throttle Plate Screw
117	Secondary Throttle Plate	118	Secondary Throttle Shaft & Lever Assembly
119	Secondary Throttle Return Spring	120	Throttle Return Spring Pin
121	Primary Main Jet	122	Secondary Main Jet
123	Fuel Level Check Plug	124	Fuel Level Plug Gasket
125	Idle Adjustment Needle	126	Idle Adjustment Needle Spring

EXPLODED VIEW - MODEL 4150/4160

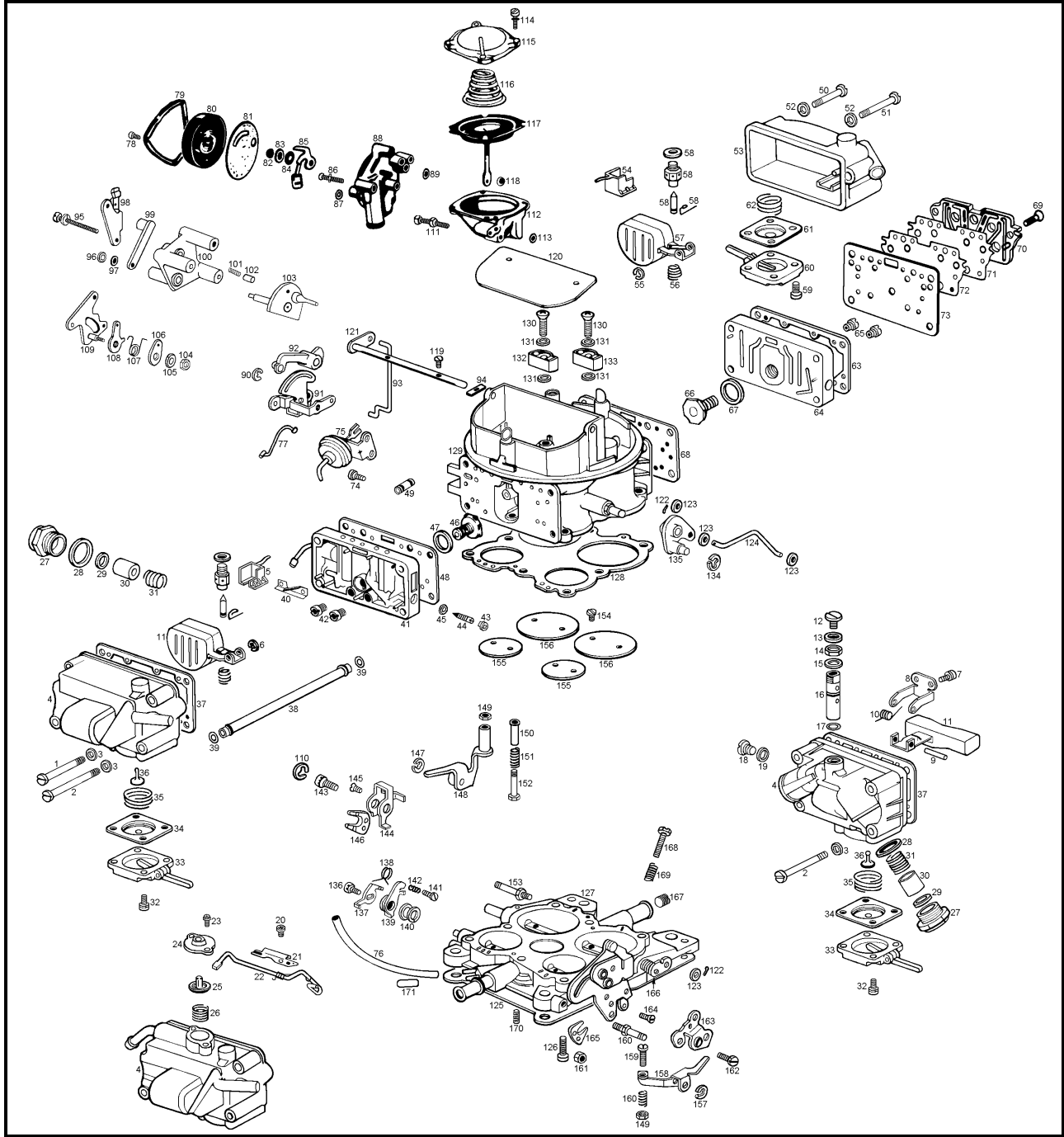


NOMENCLATURE - MODEL 4150/4160

<i>Ref. No.</i>	<i>Description</i>	<i>Ref. No.</i>	<i>Description</i>
1	Dashpot Nut	2	Dashpot Assembly
3	Dashpot Bracket Screw	4	Dashpot Bracket
5	Throttle Lever Extension Screw	6	Throttle Lever Extension Nut
7	Lockwasher Extension Nut	8	Throttle Lever Extension
9	Solenoid Bracket Screw	10	Solenoid Bracket Screw
11	Solenoid Bracket	12	Solenoid Assembly
13	Cam Follower Retainer	14	Cam Follower Lever
15	Pump Operating Lever Screw Sleeve	16	Modulator Assembly
17	Thermostat Housing Clamp Screw	18	Thermostat Housing Clamp
19	Thermostat Housing Assembly	20	Thermostat Housing Gasket
21	Choke Thermostat Shaft Nut	22	Shaft Nut Lockwasher
23	Thermostat Lever Spacer	24	Thermostat Lever, Link & Piston Assembly
25	Choke Rod Retainer	26	Choke Housing Screw
27	Choke Housing Lever & Shaft Assembly	28	Choke Thermostat Lever
29	Fast Idle Cam Assembly	30	Choke Housing Gasket
31	Choke Housing Assembly	32	Fast Idle Cam Plate Screw
33	Choke Control Lever Nut & Lockwasher	34	Wire Bracket Clamp Screw
35	Choke Control Wire Bracket Clamp	36	Wire Bracket Clamp Screw Nut
37	Choke Lever Assembly Swivel Screw	38	Choke lever & Swivel Assembly
39	Fast Idle Cam Plate	40	Fast Idle Cam and Shaft Assembly
41	Fast idle Cam Plunger	42	Fast Idle Cam Plunger Spring
43	Choke Operating Lever Spring Washer	44	Choke Operating lever Washer
45	Back-up Plate Stud Nut	46	Stud Nut Lockwasher
47	Choke Spring Washer	48	Choke Spring
49	Choke Rod & Lever Bushing Assembly	50	Back-up Plate & Stud Assembly
51	Choke Plate Screw	52	Choke Plate
53	Choke rod Retainer	54	Choke lever & Shaft Assembly
55	Choke Rod	56	Choke Rod Seal
57	Four-way Hose Connector	58	Secondary Diaphragm Link Retainer
59	Secondary Diaphragm Housing Screw	60	Secondary Diaphragm Housing Gasket
61	Secondary Diaphragm Cover Screw	62	Wire Bracket & Clamp Screw
63	Wire Bracket Clamp	64	Clamp Screw Nut
65	Secondary Diaphragm Cover	66	Secondary Diaphragm Spring
67	Secondary Diaphragm Housing Check	68	Secondary Diaphragm Housing Check Ball
69	Secondary Diaphragm Housing	70	Pump Discharge Nozzle Screw
71	Pump Discharge Nozzle Screw Gasket	72	Pump Discharge Nozzle
73	Pump Discharge Nozzle Gasket	74	Pump Discharge Needle Valve
75	Pump Check Ball Weight	76	Pump Discharge Nozzle Check Ball
77	Primary Fuel Bowl Screw	78	Primary Fuel Bowl Screw Gasket
79	Air Vent Clamp Screw	80	Air Vent Rod Clamp
81	Air Vent rod	82	Air Vent Valve Retainer
83	Air Vent valve	84	Air Vent Cap
85	Air Vent Rod Spring Retainer	86	Air Vent Rod Spring
87	Fuel Inlet Fitting	88	Fuel Inlet Fitting Gasket
89	Fuel Inlet Filter	90	Primary Fuel Valve Seat Lockscrew
91	Fuel Valve Seat Lockscrew Gasket	92	Fuel Valve Seat Adjustment Nut
93	Fuel Valve Adjustment Nut Gasket	94	Primary Fuel Inlet & Valve Seat Assembly
95	Fuel Valve Seat O-Ring Seal	96	Fuel Level Check Plug
97	Fuel Level Check Plug Gasket	98	Float Retainer
99	Primary Float Assembly	100	Primary Float spring
101	Primary Fuel Bowl Filler	102	Primary Baffle Plate
103	Pump Diaphragm Cover Screw & Lockwasher	104	Primary Pump Diaphragm Cover Assembly
105	Primary Pump Diaphragm Assembly	106	Primary Diaphragm Return Spring
107	Primary Check Ball Retainer	108	Primary Check Ball or Check Valve
109	Primary Fuel Bowl Assembly	110	Primary Fuel Bowl Gasket
111	Primary Metering Body Filler	112	Vacuum Tube Plug
113	Idle Limiter Cap	114	Idle Adjustment Needle
115	Idle Adjustment Needle Seal	116	Spark Hole Plug
117	Metering Body Vent Baffle	118	Primary Metering jet
119	Tube & O-Ring Assembly	120	Primary Metering Body Gasket
121	Primary Power Valve Assembly	122	Primary Power Valve Gasket
123	Primary Metering Body Assembly	124	Balance Tube Washer
125	Balance Tube O-Ring Seal	126	Balance Tube
127	Fuel Line Tube O-Ring Seal	128	Fuel Line Tube
129	Secondary Bowl Vent Valve	130	Secondary Fuel Bowl Screw
131	Secondary Fuel Bowl Screw Gasket	132	Secondary Fuel Valve Seat Lock Screw
133	Fuel Valve Seat Lock Screw Gasket	134	Secondary Fuel Valve Seat Adjustment Nut
135	Fuel Valve Seat Adjustment Nut Gasket	136	Secondary Fuel Inlet Valve & Seat Assembly
137	Fuel Valve Seat O-Ring Seal	138	Secondary Fuel Level Check Plug
139	Fuel Level Check Plug Gasket	140	Float Retainer

141	Secondary Float Assembly	142	Secondary Float Spring
143	Secondary Baffle Plate	144	Secondary Fuel Bowl Assembly
145	Secondary Fuel Bowl Gasket	146	Secondary Metering Jet
147	Secondary Power Valve Assembly	148	Secondary Power Valve Gasket
149	Secondary Metering Body Gasket	150	Secondary Metering Body Assembly
151	Secondary Metering Body Plate	152	Secondary Metering Body Plate Gasket
153	Main Metering Body & Plugs Assembly - Secondary	154	Secondary Metering Body Screw
155	H.I.C. Cover Screw	156	H.I.C. Cover
157	Hot Idle Compensator Assembly	158	H.I.C. Seal
159	Throttle Body Screw & Lockwasher	160	Throttle Body Screw
161	Throttle Body Screw Gasket	162	Main Body Assembly
163	Throttle Body Gasket	164	Pump Operating Lever Retainer
165	Pump Lever Adjustment Screw	166	Pump Lever Adjustment Screw Fitting
167	Pump Lever Adjustment Screw Spring	168	Pump Lever
169	Throttle Connector Rod Cotter Pin	170	Throttle Connector Rod
171	Pump Cam Lock Screw	172	Pump Cam
173	Throttle Connector Pin Retainer	174	Throttle Connector Pin Washer
175	Throttle Stop Screw	176	Throttle Stop Screw Spring
177	Fast Idle Cam lever Screw & Lockwasher	178	Fast Idle Cam Pick-up Lever
179	Fast Idle Cam Lever Spring	180	Fast Idle Cam Lever Adjustment Screw
181	Fast Idle Cam Lever Adjustment Screw Spring	182	Fast Idle Cam Lever
183	Secondary Diaphragm Lever Assembly Screw	184	Secondary Diaphragm Lever Assembly
185	Secondary Throttle Plate Screw	186	Secondary Throttle Plate
187	Primary Throttle Plate Screw	188	Primary Throttle Plate
189	Primary Throttle Shaft Bearing (solid)	190	Throttle Shaft Bearing (Ribbon) Primary and Secondary
191	Flange Gasket	192	Throttle Body Assembly
193	Float Lever Shaft	194	Float Shaft Bracket Screw & Lockwasher
195	Float Shaft Retainer Bracket	196	Fuel Transfer Tube
197	Fuel Bowl Drain Plug	198	Fuel Bowl Plug
199	Fuel Bowl Plug Gasket	200	Fuel Transfer Tube Fitting Assembly
201	Choke Assembly - Complete (divorced)	202	Choke Shaft Lever
203	Idle By-pass Adjustment Screw	204	Choke Lever Screw and Lockwasher
205	Choke Piston Link Retainer	206	Fast Idle Cam Retainer
207	Choke Rod Clevis Clip	208	Idle By-pass Adjustment Screw Spring
209	Choke Piston Lever Spacer	210	Choke Piston and Link Assembly
211	Choke Control Lever	212	Fast Idle Cam Lever
213	Choke Diaphragm, Assy., Brkt. Screw, & Lockwasher	214	Fast Idle Cam lever Screw and Lockwasher
215	Fuel Inlet Filter Gasket	216	Choke Diaphragm Assembly - Complete
217	Choke Control Lever Retainer	218	Air Vent Rod Spring
219	Fuel Inlet Filter Spring	220	Fast Idle Cam Assembly
221	Choke Diaphragm Assembly Link	222	Choke Vacuum Tube

EXPLODED VIEW - MODEL 4165/4175



NOMENCLATURE - MODEL 4165/4175

Ref. No.	Description	Ref. No.	Description
1	Fuel Bowl Screw (short) Primary	2	Fuel Bowl Screw (long) Primary
3	Fuel Bowl Screw Gasket Primary	4	Fuel Bowl Assembly Primary
5	Baffle Plate Primary	6	Float Retainer Primary
7	Float Shaft Bracket Screw & Lockwasher	8	Float Shaft Retainer Bracket
9	Float Shaft	10	Float Spring
11	Float Assembly Primary	12	Fuel Valve Seat Lock Screw
13	Fuel Valve Seat Lock Screw Gasket	14	Fuel Valve Seat Adjusting Nut
15	Fuel Valve Seat Adjusting Nut Gasket	16	Fuel Inlet Valve & Seat Assembly - Primary
17	Fuel Valve Seat O-Ring Seal	18	Fuel Level Check Plug
19	Fuel Level Check Plug Gasket	20	Vent Rod Clamp Screw & Lockwasher
21	Vent Rod Clamp	22	Vent Rod
23	Vent Valve Screw	24	Vent Valve Clamp Assembly
25	Vent Valve	26	Vent Valve Spring
27	Fuel Inlet fitting	28	Fuel Inlet Fitting Gasket

29	Fuel Inlet Filter Gasket	30	Fuel Inlet Filter
31	Fuel Inlet Filter Spring	32	Accelerator Pump Cover Screw & Lockwasher primary
33	Accelerator Pump Cover Primary	34	Accelerator Pump Diaphragm Assembly Primary
35	Accelerator Pump Diaphragm Spring Primary	36	Accelerator Pump Check Valve Primary
37	Fuel Bowl Gasket Primary	38	Fuel Line Tube
39	Fuel Line Tube O-Ring Seal	40	Metering Body Vent Baffle
41	Metering Body Assembly Primary	42	Main Metering Jet Primary
43	Idle Limiter Cap	44	Idle Adjusting Needle
45	Idle Adjusting Needle Seal	46	Power Valve Assembly Primary
47	Power Valve Gasket Primary	48	Metering Body Gasket Primary
49	Tube & O-Ring Assembly	50	Fuel Bowl Screw (short) Secondary
51	Fuel bowl Screw (long) Secondary	52	Fuel Bowl Screw Gasket Secondary
53	Fuel bowl Assembly Secondary	54	Baffle Plate Secondary
55	Float Retainer Secondary	56	Float Spring
57	Float Assembly Secondary	58	Fuel Inlet Valve & Seat Assembly Secondary
59	Accelerator Pump Cover Screw & Lockwasher Sec.	60	Accelerator Pump Cover Secondary
61	Accelerator Pump Diaphragm Assembly Secondary	62	Accelerator Pump diaphragm Spring Secondary
63	Fuel Bowl Gasket Secondary	64	Metering Body Assembly Secondary
65	Main Metering Jet Secondary	66	Power Valve Assembly Secondary
67	Power Valve gasket Secondary	68	Metering Body Gasket Secondary
69	Secondary Metering Body Screw	70	Secondary Metering Body
71	Secondary metering Body Plate Gasket	72	Secondary Metering Body Plate
73	Secondary Metering Body Gasket	74	Choke Diaphragm Bracket Screw & Lockwasher
75	Choke Diaphragm Assembly	76	Choke Diaphragm Hose
77	Choke Diaphragm Link	78	Thermostat Housing Clamp Screw
79	Thermostat Housing Clamp	80	Thermostat Housing Assembly
81	Thermostat Housing Gasket	82	Thermostat Shaft Nut
83	Thermostat Shaft Nut Lockwasher	84	Thermostat Lever Spacer
85	Thermostat Lever, Link & Piston Assembly	86	Choke Housing Screw
87	Choke Housing Screw Lockwasher	88	Choke Housing Assembly
89	Choke Housing Gasket	90	Choke Control Lever Retainer
91	Choke Control lever and/or Shaft Assembly	92	Fast idle Cam
93	Choke Rod	94	Choke Rod Seal
95	Fast idle Cam Plate Screw & Lockwasher	96	Choke Control Lever Nut
97	Choke Control Lever Lockwasher	98	Choke Wire Bracket
99	Choke Lever & Swivel Assembly	100	Fast Idle Cam Plate
101	Fast Idle Cam Plunger Spring	102	Fast Idle Cam Plunger
103	Fast Idle Cam & Shaft Assembly	104	Back-up Plate Stud Nut
105	Back-up Plate Stud Nut Lockwasher	106	Choke Spring Washer
107	Choke Spring	108	Choke Rod Lever & Bushing Assembly
109	Back-up Plate & Stud Assembly	110	Secondary Diaphragm Link Retainer
111	Diaphragm Housing Screw & Lockwasher	112	Secondary Diaphragm Housing
113	Secondary Diaphragm Housing Gasket	114	Secondary Housing Cover Screw & Lockwasher
115	Secondary Housing Cover	116	Secondary Diaphragm Spring
117	Secondary Diaphragm & Rod Assembly	118	Diaphragm Housing Check Ball
119	Choke Plate Screw	120	Choke Plate
121	Choke Shaft Assembly	122	Secondary Connect Rod Retainer
123	Secondary Connect Rod Washer	124	Secondary Connect Rod
125	Flange Gasket	126	Throttle Body Screw & Lockwasher
127	Throttle Body & Shaft Assembly	128	Throttle Body Gasket
129	Main Body Assembly	130	Pump Discharge Nozzle Screw
131	Pump Discharge Nozzle Gasket	132	Pump Discharge Nozzle Primary
133	Pump Discharge Nozzle Secondary	134	Cam Follower Lever Assembly Retainer
135	Cam Follower Lever Assembly	136	Fast Idle Cam Lever Screw & Lockwasher
137	Fast Idle Pick-up lever	138	Fast Idle Cam lever Spring
139	Fast Idle Cam Lever	140	Throttle Seal Washer
141	Fast Idle Cam Lever Adjusting Screw	142	Fast Idle cam lever Screw Spring
143	Pump Cam Lever Screw & Lockwasher	144	Pump Cam Lever Secondary
145	Pump Cam Screw	146	Pump Cam Secondary
147	Pump Operating Lever Retainer Secondary	148	Pump Operating Lever & Guide Assembly Secondary
149	Pump Operating Lever Adjusting Nut	150	Pump Operating lever Screw Sleeve
151	Pump Lever Adjusting Screw Spring Secondary	152	Pump Operating Lever Adjusting Screw
153	Pump lever Stud Secondary	154	Throttle Plate Screw
155	Throttle Plate Primary	156	Throttle Plate Secondary
157	Pump Operating Lever Retainer Primary	158	Pump Operating Lever Primary
159	Pump Lever Adjusting Screw Primary	160	Pump Lever Stud Primary
161	Throttle Lever Extension Screw Nut	162	Throttle Lever Extension Screw
163	Throttle Lever Extension	164	Pump Cam Screw Primary
165	Throttle Return Spring	166	Throttle Return Spring Secondary
167	Throttle Body Channel Plug	168	Throttle Stop Screw
169	Throttle Stop Screw Spring	170	Pump Lever Adjusting Screw
171	Vacuum Tube Plug		

NOMENCLATURE - MODEL 4500

Ref. No.	Description	Ref. No.	Description
1	Choke Plate	2	Choke Shaft Assembly
3	Fuel Bowl Vent Baffle Drive Screw	4	Choke Shaft Swivel Screw
5	Fuel Pump Cover Screw & Lockwasher	6	Choke Plate Screw & Lockwasher
7	Throttle Stop Screw	8	Fuel bowl Screw
9	Pump Cam Lock Screw	10	Fuel Valve Seat Lock Screw
11	Pump Operating Adjustment Screw	12	Pump Discharge Nozzle Screw
13	Float Shaft Bracket Screw & Lockwasher	14	Throttle Shaft Screw
15	Throttle Plate Screw	16	Pivot Screw
17	Fuel Level Check Plug	18	Fuel Inlet Plug
19	Fuel Level check Plug Gasket	20	Fuel Bowl Screw Gasket
21	Power Valve Gasket	22	Fuel Valve Seat Adjustment Nut Gasket
23	Fuel Valve Seat Lock Screw Gasket	24	Pump Discharge Nozzle Gasket
25	Fuel Bowl Gasket	26	Metering Body Gasket - Primary & Secondary
27	Fuel Inlet Fitting & Plug Gasket	28	Flange Gasket
29	Throttle Plate	30	Throttle Shaft Assembly - Primary
31	Throttle Shaft Assembly - Secondary	32	Primary throttle Lever (internal)
33	Secondary Throttle Lever & Bushing Assembly	34	Intermediate Throttle Lever Assembly (complete)
35	Threaded Guide Bushing	36	Idle Adjusting Needle
37	Float & Hinge Assembly	38	Float Shaft
39	Fuel Valve & Seat Assembly	40	Fuel Inlet Fitting
41	Pump Discharge Nozzle	42	Main Jet - Primary
43	Main Jet - Secondary	44	Pump Discharge Needle Valve
45	Pump Check Valve	46	Power Valve Assembly
47	Fuel Valve Seat O-Ring Seal	48	Idle Adjusting Needle Seal
49	Throttle Lever Ball	50	Connecting Link
51	Fuel Pump Cover Assembly	52	Metering Body & Plugs Assembly - Primary
53	Metering Body & Plugs Assembly - Secondary	54	Fuel Bowl - Primary
55	Fuel Bowl - Secondary	56	Pump Diaphragm Assembly
57	Pump Lever Stud	58	Diaphragm Return Spring
59	Pump Operating Adjustment Screw Spring	60	Float Spring
61	Choke Spring	62	Throttle Stop Screw Spring
63	Throttle Lever Ball Nut	64	Fuel Valve Seat Adjustment Nut
65	Pump Operating Adjustment Nut	66	Pump Cam
67	Pump Operating Lever Screw Sleeve	68	Pivot Screw Lockwasher
69	Pivot Screw Washer	70	Throttle Lever Ball Lockwasher
71	Pivot Screw Cotter Pin	72	Connecting Link Cotter Pin
73	Float Shaft Retaining Bracket	74	Fuel Bowl Vent Baffle
75	Pump Operating lever and Guide Assembly	76	Pump Operating Lever Retainer