



Equipped with AEM® Dryflow™ Filter
No Oil Required!

INSTALLATION INSTRUCTIONS

PART NUMBER:

21-737WR **(Wrinkle Red)**

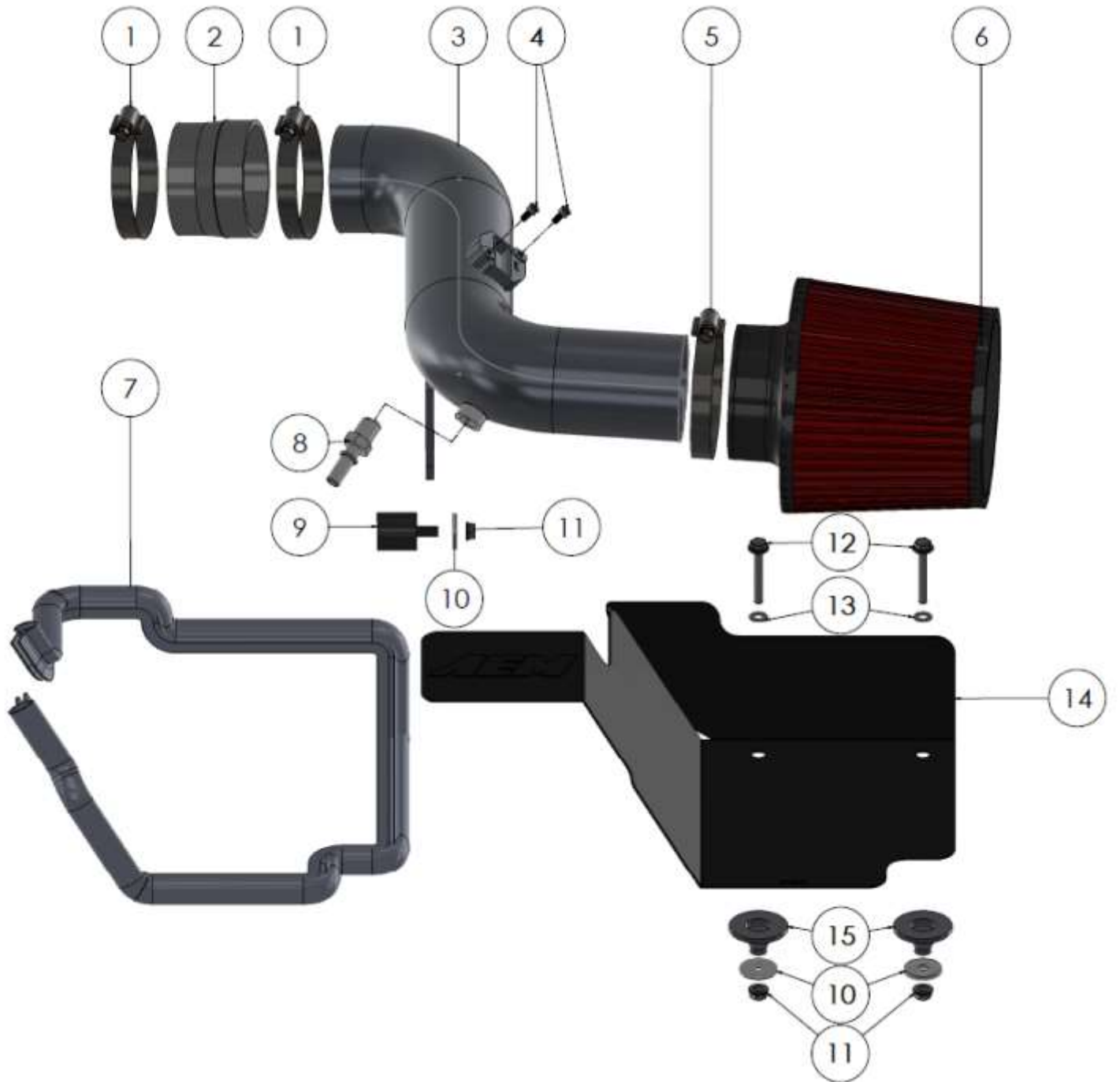
2014	Ford	Fiesta ST	I4 1.6L	C.A.R.B. E.O.# D-670-22
2015	Ford	Fiesta ST	I4 1.6L	C.A.R.B. E.O.# D-670-22

Intake systems for vehicles listed are 50 state legal. See AEMIntakes.com for CARB status on each part for a specific vehicle.

Tools Needed:

T-20 Torx
 Screw Driver
 10mm socket
 Swivel Extension
 Socket Driver
 10mm Wrench
 5/8 Wrench
 3mm Allen

ITEM NO.	PART NUMBER	DESCRIPTION	QTY.
1	9440	HOSE CLAMP, 2.15-3.00"	2
2	084014	HOSE; 2-3/4" TO 2-5/8" ID X 2" L	1
3	2-1474WR	TUBE; FORD FIESTA ST, 21-737	1
4	1-2105	BOLT; SOCKET M4-.7 X 8MM	2
5	9448	1/2" BNDHOSE CLAMP, 2.56"-3.50"	1
6	21-202DK	AIR FILTER; 3" X 5" DRYFLOW	1
7	102496	EDGE TRIM; 3/4" BULB, TOP LOC, 39"L	1
8	82630	VENT; STRT, 1/4NPT TO QUICK RE- LEASE	1
9	1228596	MOUNT, RUBBER M6 X 3/4"	1
10	08160	WASHER; 1"D X 1/4 HOLE FENDER	3
11	444.460.04	NUT; M6 HEX SERRATED	3
12	1-2075	BOLT; HEX/FLANGE M6-1 X 40	2
13	1-3001	WASHER, #12 NYLON 6/6	2
14	20-8536	HEAT SHIELD; 21-737, MILD STL	1
15	2-670	SPACER; STAND, ALUMINUM	2



Read and understand these instructions **BEFORE** attempting to install this product. Failure to follow installation instructions and not using the provided hardware may damage the intake tube, throttle body and engine.

1. Preparing Vehicle

- a. Make sure vehicle is parked on level surface.
- b. Set the parking brake.
- c. If engine has run in the past two hours, let it cool down.
- d. Disconnect the negative battery cable.
- e. Do not discard stock components after removal of the factory system.
- f. Open the air intake kit package and make sure all parts are included.

2. Removal of stock system



a. Remove the engine cover by pulling it up and out of the vehicle. Loosen the two hose clamps circled.



b. Unclip the green locking tab on the vent line and disconnect the vent line from the stock intake tube. Then remove the stock intake tube.



c. Using a T-20 torx, remove the bolt attaching the rubber bushing to the air box. **Note:** Do not discard any of your stock equipment.



d. Release the red locking tab on the sensor connector and disconnect the connector from the sensor.



e. Unclip the stock scoop from the radiator support and remove the stock air box assembly from the vehicle by pulling up to release it from the grommets.



f. Remove the two screws securing the sensor in the air box. The sensor will be reused in step 3a.

3. Installation of AEM® intake system.

a. When installing the intake system, do not completely tighten the hose clamps or mounting hardware until instructed to do so.



a. Install the sensor into the AEM tube and secure with provided (1-2105) bolts. **Note:** Make sure the opening in the sensor is facing towards the filter/bracket.



b. Wrap the edge trim (102496) around the heat shield as shown. **Note:** Cut the edge trim to length if needed.



c. Install the vent into the tube and tighten. Note: Hand tighten the vent, then using a wrench turn it a quarter turn more.



d. Install the hose (084014) and hose clamps (9440) onto the inlet piping. Tighten the hose clamp closest to the inlet piping at this time.



e. Screw the rubber mount (1228596) onto the protruding m6 stud as shown. **Note:** Install the washer (08160) and nut (444.460.04) loosely onto the mount before installing onto the vehicle.



f. Install the spacers (2-670) into the rubber mounts on the vehicle.



g. Place the heat shield into the vehicle and secure with the provided bolts and washers as per the exploded view diagram on page 3.



h. Slide the AEM intake tube into the previously installed coupler (step 3d), while aligning the bracket up to the previously installed rubber mount (step 3e). Tighten the hose clamp and the nut to secure the AEM intake tube.



i. Slide the stock vent tube onto the AEM intake tube and latch the green locking tab. Then tighten the nut on that secures the bracket to the rubber mount installed on step 3e.



j. Reconnect the sensor connector to the sensor.
Note: You may need to remove the electrical tape holding the sensor harness to the battery connector harness.



k. Slide the AEM filter onto the tube and secure with the provided hose clamp (9448).



STOCK INTAKE SYSTEM



AEM INTAKE SYSTEM

4. Reassemble Vehicle

- a. Position the inlet pipes for the best fitment. Be sure that the pipes or any other components do not contact any part of the vehicle.
- b. Check for proper hood clearance. Re-adjust pipes if necessary and re-tighten them.
- c. Inspect the engine bay for any loose tools and check that all fasteners that were moved or removed are properly tightened.
- d. Reconnect negative battery terminal and start engine. Let the vehicle idle for 3 minutes. Perform a final inspection before driving the vehicle.

5. Service and Maintenance

- a. AEM Induction Systems requires cleaning the intake system's air filter element every 100,000 miles. When used in dusty or off-road environments, our filters will require cleaning more often. We recommend that you visually inspect your filter once every 25,000 miles to determine if the screen is still visible. When the screen is no longer visible some place on the filter element, it is time to clean it. To clean, purchase our Synthetic air filter cleaner, part number 99-0624 and follow the easy instructions.
- b. Use window cleaner to clean your powder coated AEM[®] intake tube.

NOTE: DO NOT USE aluminum polish on powder coated AEM[®] intake tubes.

For technical inquiries
e-mail us at
sales@aemintakes.com
or
call us at
800.992.3000

AEM Air Intake System Warranty Policy

AEM[®] warrants that its intake systems will last for the life of your vehicle. AEM[®] will not honor this warranty due to mechanical damage (i.e. improper installation or fitment), damage from misuse, accidents or flying debris. AEM[®] will not warrant its powder coating if the finish has been cleaned with a hydrocarbon-based solvent. The powder coating should only be cleaned with a mild soap and water solution. Proof of purchase of both the vehicle and AEM[®] intake system is required for redemption of a warranty claim.

This warranty is limited to the repair or replacement of the AEM[®] part. In no event shall this warranty exceed the original purchase price of the AEM[®] part nor shall AEM[®] be responsible for special, incidental or consequential damages or cost incurred due to the failure of this product. Warranty claims to AEM[®] must be transportation prepaid and accompanied with dated proof of purchase. This warranty applies only to the original purchaser of product and is nontransferable. Improper use or installation, use for racing, accident, abuse, unauthorized repairs or alterations voids this warranty. AEM[®] disclaims any liability for consequential damages due to breach of any written or implied warranty on all products manufactured by AEM[®]. Warranty returns will only be accepted by AEM[®] when accompanied by a valid Return Merchandise Authorization (RMA) number. Credit for defective products will be issued pending inspection. Product must be received by AEM[®] within 30 days of the date RMA is issued.

If you have a warranty issue, please call (800) 992-3000 and our customer service department will assist you. A proof of purchase is required for all AEM[®] warranty claims.

**Intake systems for vehicles listed are 50
state legal. See AEMIntakes.com for CARB
status on each part for a specific vehicle.**

10-451A
03/30/15